



Features and Benefits

Frequency range: 10MHz
Supply voltage: 3.3V
Steady current: 50mA Max
Output waveform: CMOS
Frequency tolerance: ±50ppm
Pulling range: ±50ppm
Operating temperature: -20°C to +70°C
Size: 5.0x3.2x1.25mm

Typical Applications

High-speed ethernet
Fiber channel
HDTV
ATM
Set-top box
WiMAX
Server
SAS
SATA

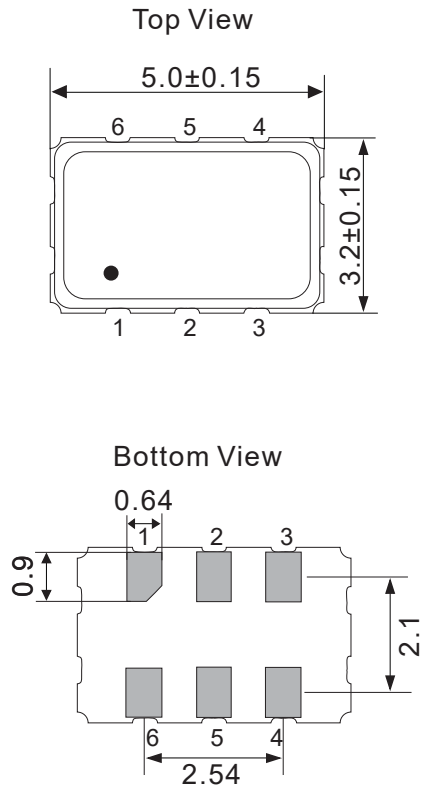
Description

The VCXO5032AL-CMOS-10MHz-121 is designed for applications where exceptional frequency stability and timing is required.

It has both excellent temperature performance and frequency stability. These characteristics make it an excellent choice for timing applications.

Mechanical Drawing & Pin Connections

Drawing No: A8 & \$\$(*!%)



PIN	Function
#1	Control Voltage
#2	OE/Tri-State
#3	GND
#4	Output
#5	N.C.
#6	Supply Voltage

Unit in mm
1mm = 0.0394 inches



Specifications

Oscillator Specification	Sym	Condition	Value			Unit	Note
			Min.	Typ.	Max.		
Frequency Range	F_{nom}			10		MHz	
RF Output							
Signal Waveform			CMOS				
Load	R_L		15			pF	
H-Level Voltage	V_H		90% V_{cc}			V	
L- Level Voltage	V_L				10% V_{cc}	V	
Duty Cycle			45		55	%	
Rise/Fall time					5	nS	
Power Supply							
Supply Voltage	V_{cc}			3.3		V	
Start up Time	T_{up}				2	mS	
Current					50	mA	
Frequency Adjustment Range							
EFC voltage			0.3		3.0	V	
Electronic Frequency Control (EFC)			±50			ppm	
Linearity					10	%	
Input Impedance			1			MΩ	
Frequency Stability							
Frequency Tolerance				±50		ppm	
Environmental, Mechanical Conditions							
Operating temperature range	-20°C to +70°C						
Storage temperature range	-55°C to +125°C						