



Dynamic Engineers Inc.

2550 Gray Falls Dr., Suite#128, Houston, TX, 77077 USA
 TEL: 1-281-870-8822 EMAIL: Sales@DynamicEng.com

V7 C%&/%&6 E !%& \$ \$A < n! &%& \$A < n!5
 1í 00-G150MHz SMD VCO

Features and Benefits

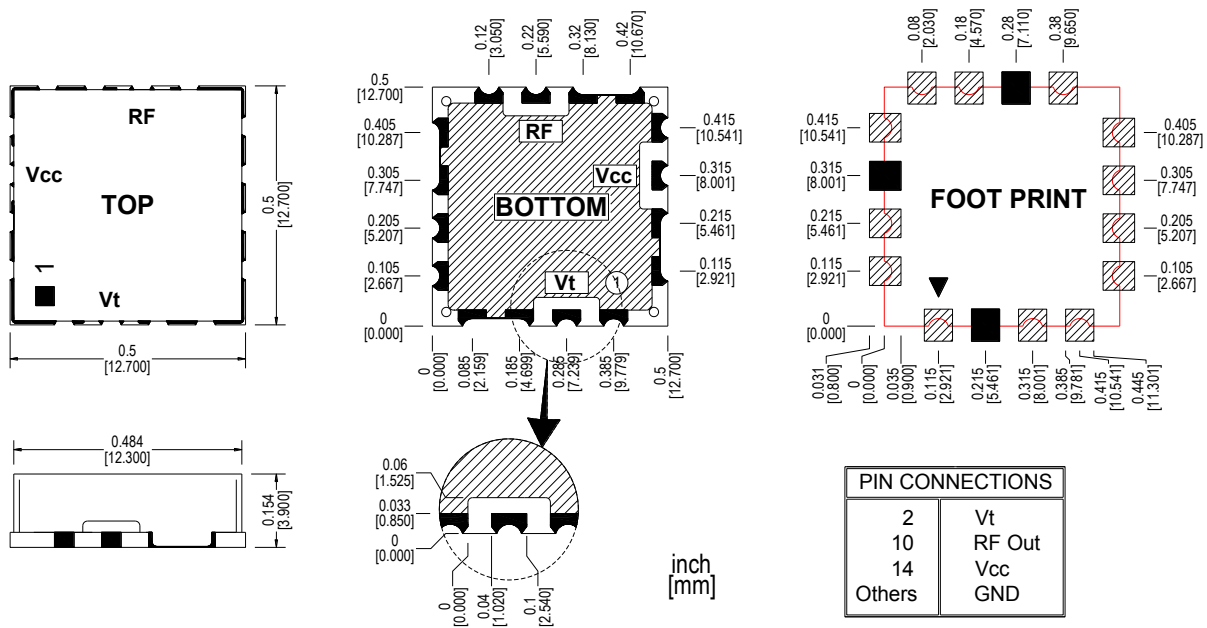
- Frequency Range:1500-2150MHz
- Supply Voltage:5.0V
- Current: 35mA Max.
- Output power: +9.0dBm Max.
- Tuning Voltage: 0-20V
- Phase noise: -112dBc/Hz@100KHz
- Operating temperature: -40°C--+85°C
- Size:12.7x12.7x3.9mm

Typical Applications

- SATCOM
- Receiver
- Test Equipment
- Radar
- Point –to-Point
- Radio
- MMDS
- WiMax

Mechanical Drawing & Pin Connections

Drawing No: MD140084-2





Specifications

Parameter	Units	Min.	Typical	Max.
Operating Frequency Range	MHz	1500		2150
Power Supply (Vcc)	Voltage	Vdc	5	
	Current	mA		35
Output Power	dBm	+3.0	+6.0	+9.0
Output Impedance	Ω		50	
Phase Noise @10kHz offset	dBc / Hz		-93	-87
Phase Noise @100kHz offset	dBc / Hz		-112	-107
Tuning Voltage (Vt)	V	0		+20
Tuning Voltage Sensitivity (Kv)	MHz / V		25-100	
2nd Harmonic Suppression	dBc			-7
Pushing Figure	MHz / V		5	
Pulling Figure	MHz		15	
Input Capacitance	pF		100	
Operating Temperature Range	°C	-40		+85