



Features and Benefits

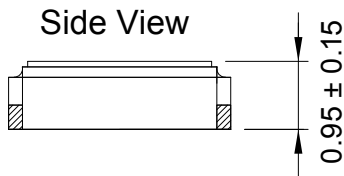
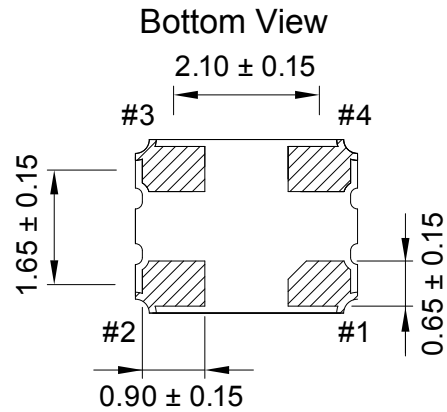
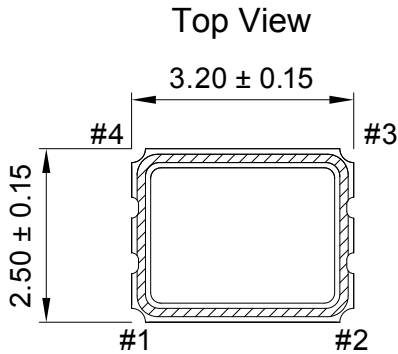
- 9.5MHz—60MHz Frequency range
- 1.8V,2.5V, and 3.3V Supply voltage
- CMOS Output waveform
- ±2.5ppm Stability Vs -40C ---+85C
- 3.2x2.5mm Size

Typical Applications

- Wireless Connectivity
- Smart grid

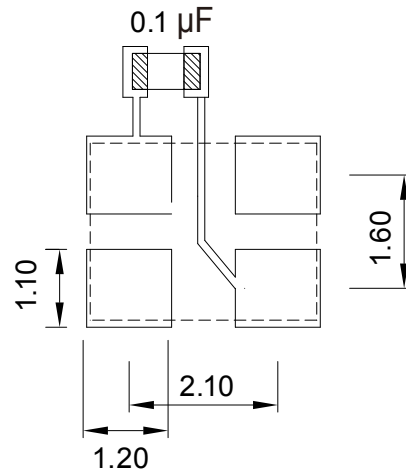
Mechanical Drawing & Pin Connections

Drawing No: MD160027-4



Pin#	Function
1	Tri-state
2	GND
3	Output
4	VDD

Unit in mm
1mm = 0.0394 inches



To ensure optimal oscillator performance, place a by-pass capacitor of 0.1µF as close to the part as possible between Vdd and GND pads.



Specifications

Specification	Conditon	3.3V		2.5V		1.8V		Unit
		Min.	Max.	Min.	Max.	Min.	Max.	
Supply Voltage Variation(VDD)	±5%	3.135	3.465	2.375	2.625	1.71	1.89	V
Frequency Range		9.5	60	9.5	60	9.5	60	MHz
Aging(first year)	@25°C		±1.0		±1.0		±1.0	ppm
Supply Current	9.5MHz≤Fo≤60MHz	-	10	-	7	-	5	mA
Output Level(CMOS)	High (logic 1)	2.97	-	2.25	-	1.62	-	V
	Low (logic 0)		0.33		0.25		0.18	V
Duty Cycle		45	55	45	55	45	55	%
Rise/Fall time			8		8		8	nSec
Start Time			5		5		5	mSec
Tri-state(input to pin1)	Enable(high or floating)	2.31		1.75		1.26		V
	Disable(low or GND)		0.99		0.75		0.54	V
RMS Phase Jitter	Integrated 12kHz-20MHz		1		1		1	pSec
Phase Noise@26MHz								
10Hz			-80		-80		-80	dBc/H z
100Hz			-110		-110		-110	
1KHz			-130		-130		-130	
10KHz			-145		-145		-145	
Storage Temp. Range		-55°C to +125°C						°C

Frequency Stability vs. Temperature

	±2.5PPM	±5.0PPM	±10PPM
-40°C to +85°C	Available	Available	Available
-40°C to +90°C	Conditional	Available	Available
-40°C to +105°C	Not Available	Conditional	Available

Note: not all combination of options are available. Other specifications may be available upon request.