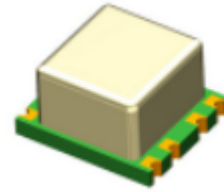




Features and Benefits

Frequency range: 640MHz
 Supply voltage: 5.0V
 Steady current: 100mA Max
 Output waveform: Sinewave
 Frequency stability vs. operating temperature: ±1.0ppm
 Aging: ±1.0ppm per year
 Phase noise@100KHz: -150dBc/Hz
 Operating temperature: -40°C to +85°C
 Size: 25.78x22.48x6.5mm



Typical Applications

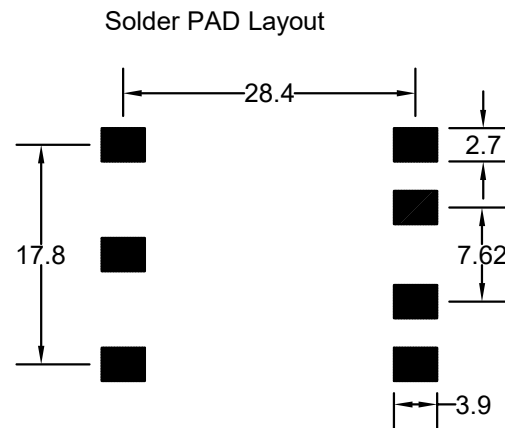
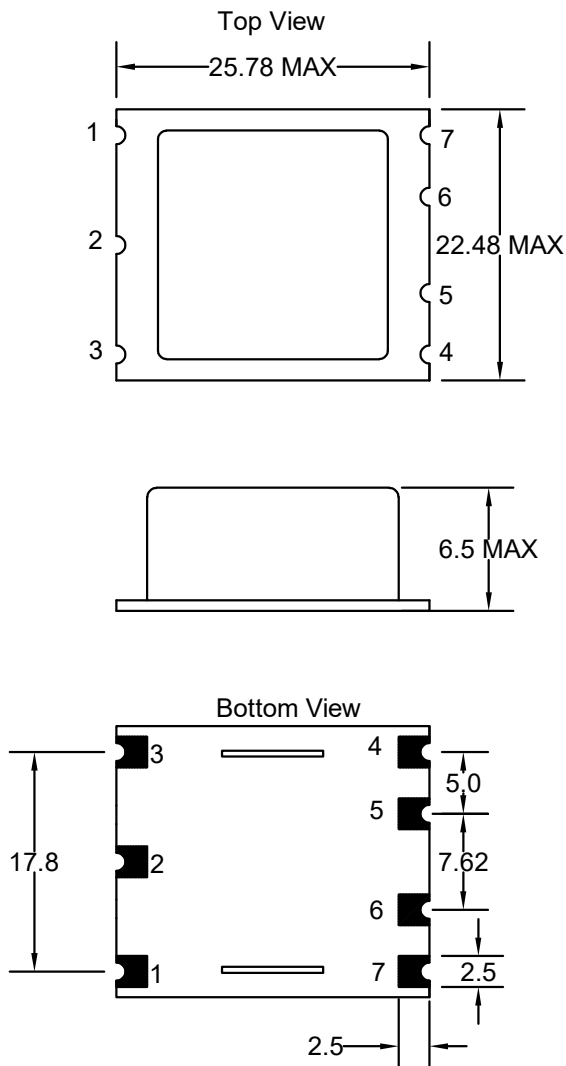
UHF Synthesizers
 SATCOM System
 Portable Microwave Applications

Description

TCXO2522BE-640MHz-A-V offers wide temperature operation with outstanding frequency stability and low phase noise performance.

Mechanical Drawing & Pin Connections

Drawing No: M8 & (\$ \$) & &



#1	Control Voltage
#2	N.C.
#3	Supply Voltage
#4	Output
#5	N.C.
#6	N.C.
#7	GND

Unit in mm
 1mm = 0.0394 inches



Specifications

Oscillator Specification	Sym	Condition	Value			Unit	Note
			Min.	Typ.	Max.		
Frequency	F _{nom}			640		MHz	
RF Output							
Signal Waveform			Sinewave				
Level			+5	+7	+9	dBm	
Harmonics					-25	dBc	
Spurious					-60	dBc	
Load			50			ohm	
Power Supply							
Supply Voltage	V _{cc}	±5%		5.0		V	
Input Current					100	mA	
Frequency Adjustment Range							
Control Voltage	V _c		0	2.5	5.0	V	
Frequency Pulling Range			±5.0			ppm	
Input impedance			10			Kohm	
Frequency Stability							
Overall stability		including 20years			±4.6	ppm	
Versus Operating Temperature Range		-40°C to +85°C			±1.0	ppm	
Initial frequency accuracy		at +25°C, V _c =+2.5V			±1.0	ppm	
Versus supply voltage		±5% change		±0.1		ppm	
Aging 1 st Year				±1.0		ppm	
Aging 10 Years				±3.5		ppm	
Phase noise		10Hz			-60	dBc/Hz	
		100Hz			-100	dBc/Hz	
		1KHz			-125	dBc/Hz	
		10KHz			-145	dBc/Hz	
		100KHz			-150	dBc/Hz	
Environmental, Mechanical Conditions							
Operating temperature range			-40°C to +85°C				
Storage temperature range			-45°C to +105°C				