



### Features and Benefits

Center frequency: 947.5MHz  
I.L: 3.3dB Max.  
Operating temperature: -30°C to +85°C  
Size: 3x3x1.4mm  
Package type: Surface Mount

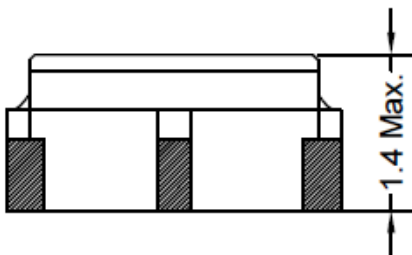
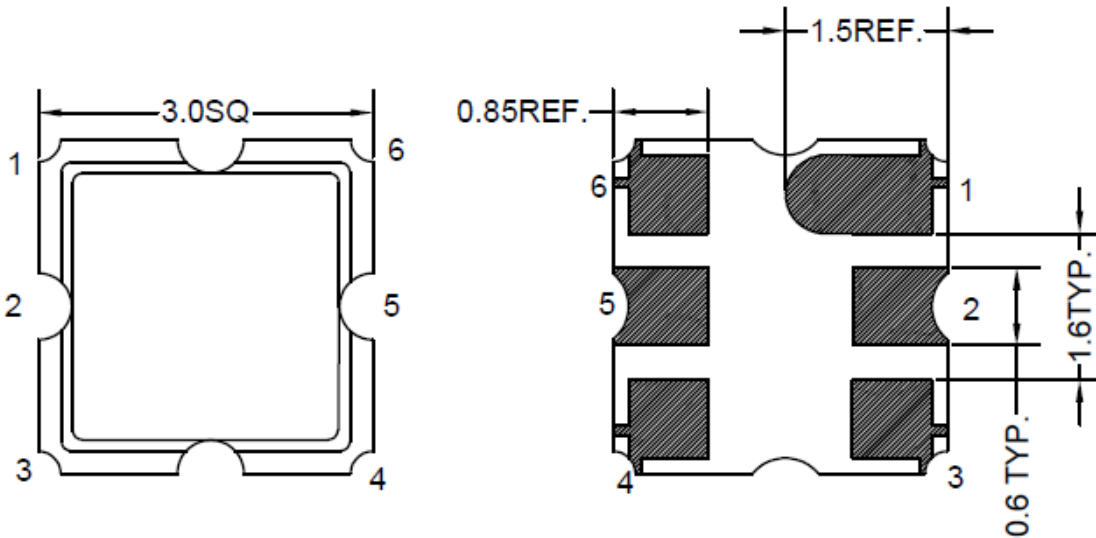


### Typical Applications

IOT  
Cellular  
Telecom  
4G/LTE  
Wireless Communication  
WLAN  
Base Station  
Radar

### Mechanical Drawing & Pin Connections

Drawing No: MD240080-1



PIN	Function
#2	INPUT
#5	OUTPUT
Others	GND

Unit in mm

1mm = 0.0394 inches

Not Specified Tolerance: ±0.2mm



### Specifications

Parameter		Min.	Typical	Max.	Units
Center Frequency	Fc		947.5		MHz
Insertion Loss (935~960 MHz)	IL		2.45	3.3	dB
Amplitude Ripper (935~960 MHz)			0.5	1.3	dB
VSWR (935~960 MHz)			1.7	2.2	
Attenuation (Reference level from 0 dB)					
D.C. ~ 871	MHz	50	54		dB
890 ~ 915	MHz	30	47		dB
980 ~ 1025	MHz	10	25		dB
1025 ~ 2000	MHz	45	52		dB
2000 ~ 3000	MHz	20	31		dB
Input Power Level			20		dBm
DC Voltage			3		V
Operating Temperature Range		-30		+85	°C
Storage Temperature Range		-40		+85	°C