



Features and Benefits

Center frequency: 947.5MHz
I.L: 3.0dB Max.
Operating temperature: -30°C to +85°C
Size: 3x3x1.4mm
Package type: Surface Mount

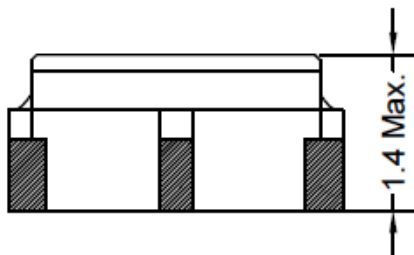
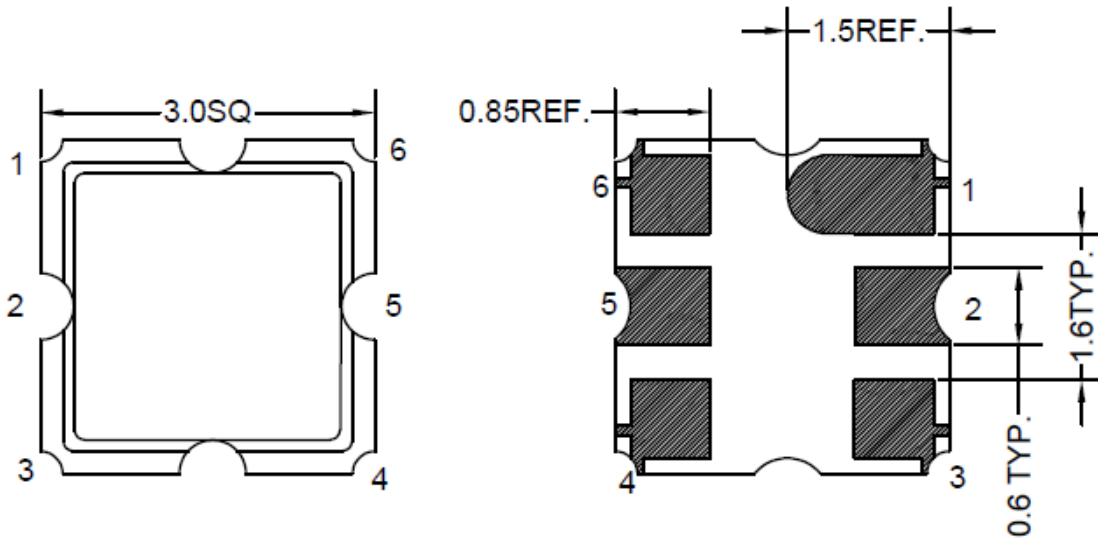


Typical Applications

IOT
Cellular
Telecom
4G/LTE
Wireless Communication
WLAN
Base Station
Radar

Mechanical Drawing & Pin Connections

Drawing No: MD240080-1



PIN	Function
#2	INPUT
#5	OUTPUT
Others	GND

Unit in mm

1mm = 0.0394 inches

Not Specified Tolerance: ±0.2mm



Specifications

Parameter		Min.	Typical	Max.	Units
Center Frequency	Fc		947.5		MHz
Insertion Loss (935~960 MHz)	IL		2.4	3.0	dB
Amplitude Ripple (935~960 MHz)			1.0	2.0	dB
VSWR (935~960 MHz)			2.0	2.2	
Attenuation (Reference level from 0 dB)					
D.C. ~ 890	MHz	28	32		dB
890 ~ 915	MHz	20	35		dB
980 ~ 1025	MHz	15	30		dB
1025 ~ 2000	MHz	30	34.5		dB
Input Power Level			10		dBm
DC Voltage			0		V
Operating Temperature Range		-30		+85	°C
Storage Temperature Range		-40		+85	°C
Source impedance (single ended)			50		Ω
Load impedance (single ended)			50		Ω