



### Features and Benefits

Center frequency: 938MHz  
I.L: 3.7dB Max.  
Operating temperature: -30°C to +85°C  
Size: 3x3x1.4mm  
Package type: Surface Mount

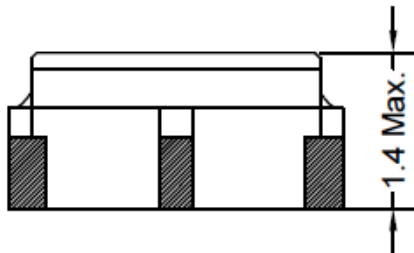
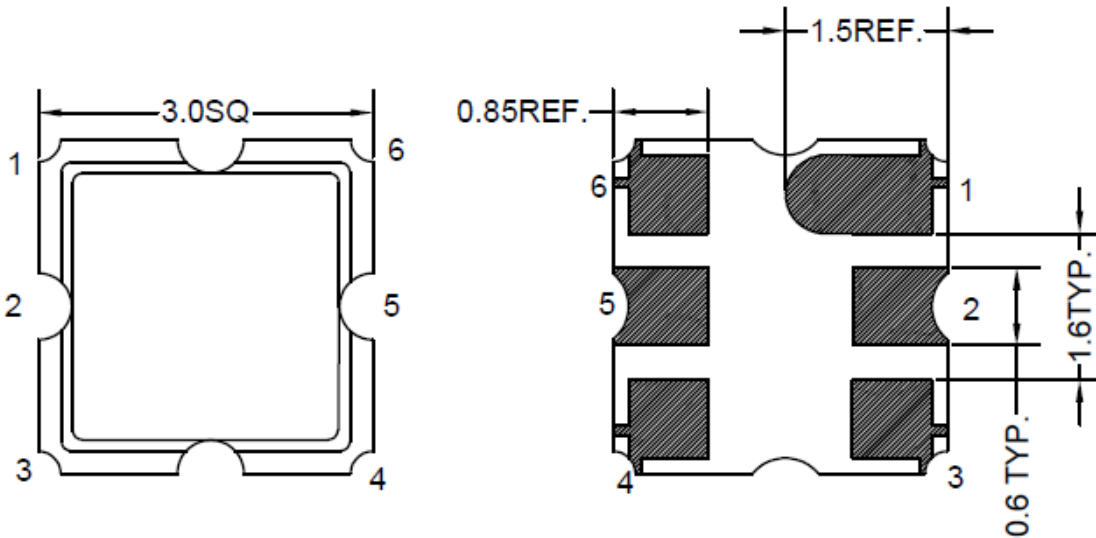


### Typical Applications

IOT  
Cellular  
Telecom  
4G/LTE  
Wireless Communication  
WLAN  
Base Station  
Radar

### Mechanical Drawing & Pin Connections

Drawing No: MD240080-1



PIN	Function
#2	INPUT
#5	OUTPUT
Others	GND

Unit in mm

1mm = 0.0394 inches

Not Specified Tolerance: ±0.2mm



## Specifications

Parameter		Min.	Typical	Max.	Units
Center Frequency	Fc		938		MHz
Insertion Loss (935~941 MHz)	IL		2.5	3.7	dB
Amplitude Ripple (935~941 MHz)			0.2	1.4	dB
VSWR (935~941 MHz)			1.5	2.2	
Attenuation (Reference level from 0 dB)					
40 ~ 400	MHz	40	63		dB
700 ~ 850	MHz	20	52		dB
893 ~ 910	MHz	15	50		dB
965 ~ 983	MHz	25	49		dB
1076 ~ 1092	MHz	45	51		dB
1100 ~ 1600	MHz	45	48		dB
1600 ~ 3000	MHz	30	33		dB
Temperature Coefficient of Frequency			-36		ppm/K
Input Power Level			16		dBm
DC Voltage			3		V
Operating Temperature Range		-30		+85	°C
Storage Temperature Range		-40		+95	°C