



Features and Benefits

Center frequency: 920MHz
I.L: 4.8dB Max.
Operating temperature: -30°C to +85°C
Size: 3x3x1.4mm
Package type: Surface Mount

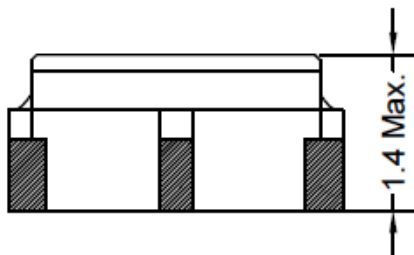
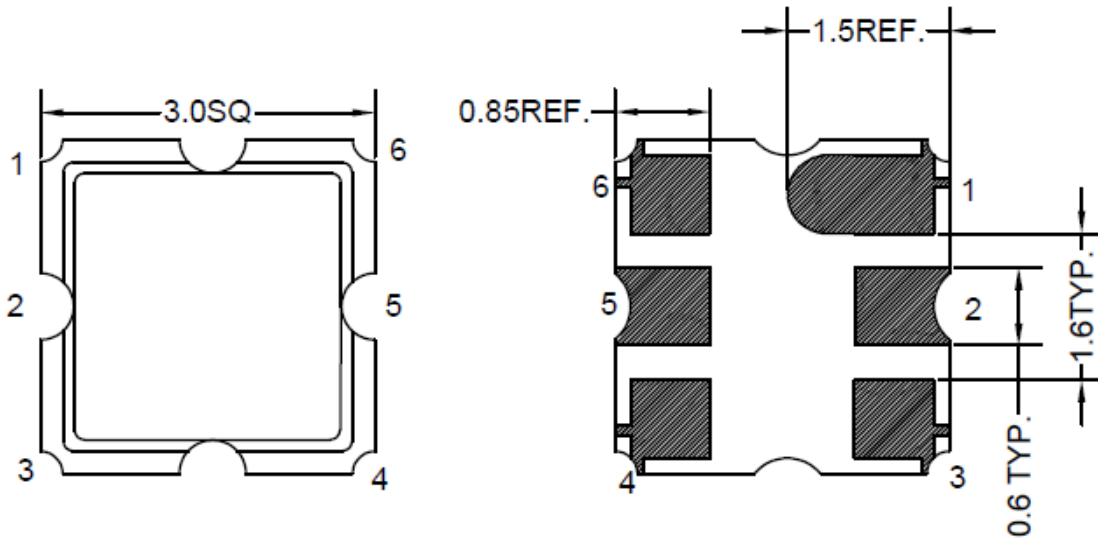


Typical Applications

IOT
Cellular
Telecom
4G/LTE
Wireless Communication
WLAN
Base Station
Radar

Mechanical Drawing & Pin Connections

Drawing No: MD240080-1



PIN	Function
#2	INPUT
#5	OUTPUT
Others	GND

Unit in mm

1mm = 0.0394 inches

Not Specified Tolerance: ±0.2mm



Specifications

Parameter		Min.	Typical	Max.	Units
Center Frequency	Fc		920		MHz
Insertion Loss (900~940 MHz)	IL		3.9	4.8	dB
Amplitude Ripple (Variation over 3MHz)			0.3	1.0	dB
VSWR (900~940 MHz)			1.7	2.5	
Group Delay Ripple (Variation over 3MHz)		15	30		ns
Attenuation (Reference level from 0 dB)					
D.C. ~ 850	MHz	40	53		dB
850 ~ 880	MHz	20	48		dB
960 ~ 1000	MHz	20	29		dB
1000 ~ 2000	MHz	40	49		dB
Input Power Level			10		dBm
DC Voltage			3		V
Operating Temperature Range		-30		+85	°C
Storage Temperature Range		-40		+85	°C