



### Features and Benefits

Center frequency: 918.6MHz  
I.L: 4.3dB Max.  
Operating temperature: -40°C to +85°C  
Size: 3x3x1.4mm  
Package type: Surface Mount

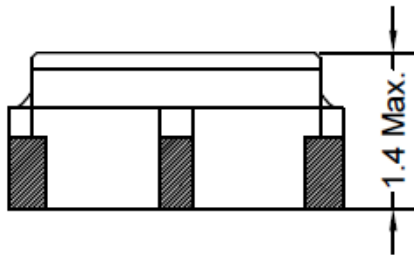
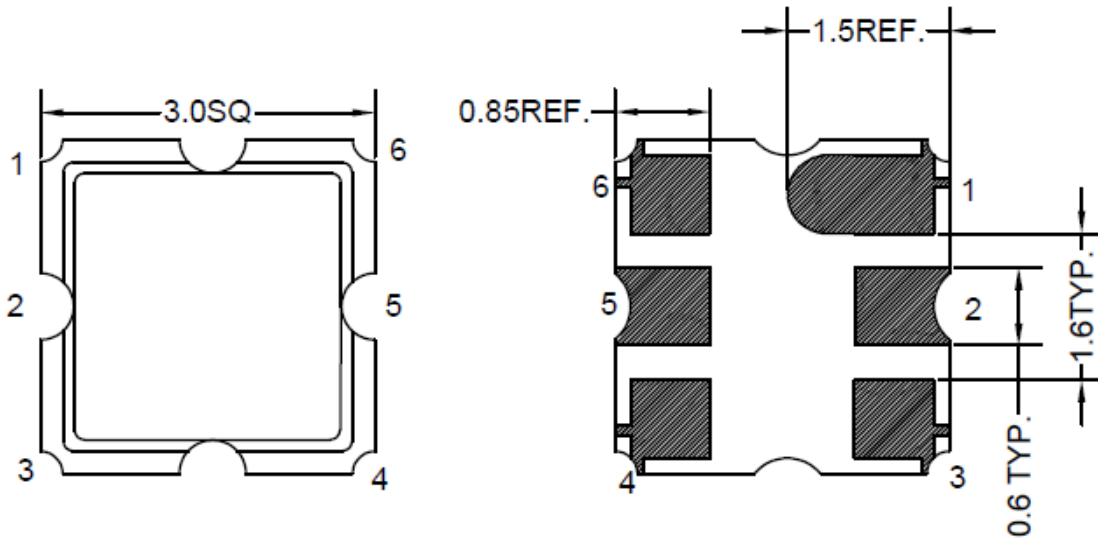


### Typical Applications

IOT  
Cellular  
Telecom  
4G/LTE  
Wireless Communication  
WLAN  
Base Station  
Radar

### Mechanical Drawing & Pin Connections

Drawing No: MD240080-1



PIN	Function
#2	INPUT
#5	OUTPUT
Others	GND

Unit in mm

1mm = 0.0394 inches

Not Specified Tolerance: ±0.2mm



### Specifications

Parameter		Min.	Typical	Max.	Units
Center Frequency	Fc		918.6		MHz
Insertion Loss	IL		2.6	4.3	dB
3dB Pass Bandwidth			5.5		MHz
Pass Bandwidth Ripple (916.7~920.5 MHz)			0.8	3.1	dB
Attenuation (Reference level from Min IL)					
D.C. ~ 710	MHz	45	52		dB
710 ~ 850	MHz	35	40		dB
850 ~ 910	MHz	20	27		dB
910 ~ 914	MHz	10	14		dB
914 ~ 915	MHz	4	11		dB
923 ~ 930	MHz	4	19		dB
930 ~ 960	MHz	17	28		dB
960 ~ 1000	MHz	30	34		dB
1000 ~2500	MHz	30	41		
Temperature Coefficient of Frequency			-0.047		ppm/K <sup>2</sup>
Input Power Level			10		dBm
DC Voltage			5		V
Operating Temperature Range		-40		+85	°C
Storage Temperature Range		-40		+85	°C
Moisture Sensitivity Level		Level 1(MSL1)			