



Features and Benefits

Center frequency: 918.6MHz
I.L: 7dB Max.
Operating temperature: 0°C to +80°C
Size: 3x3x1.4mm
Package type: Surface Mount

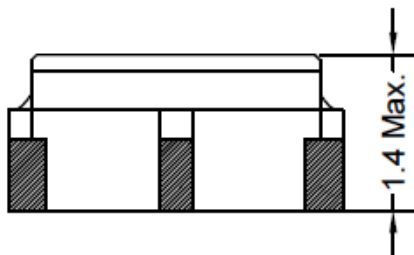
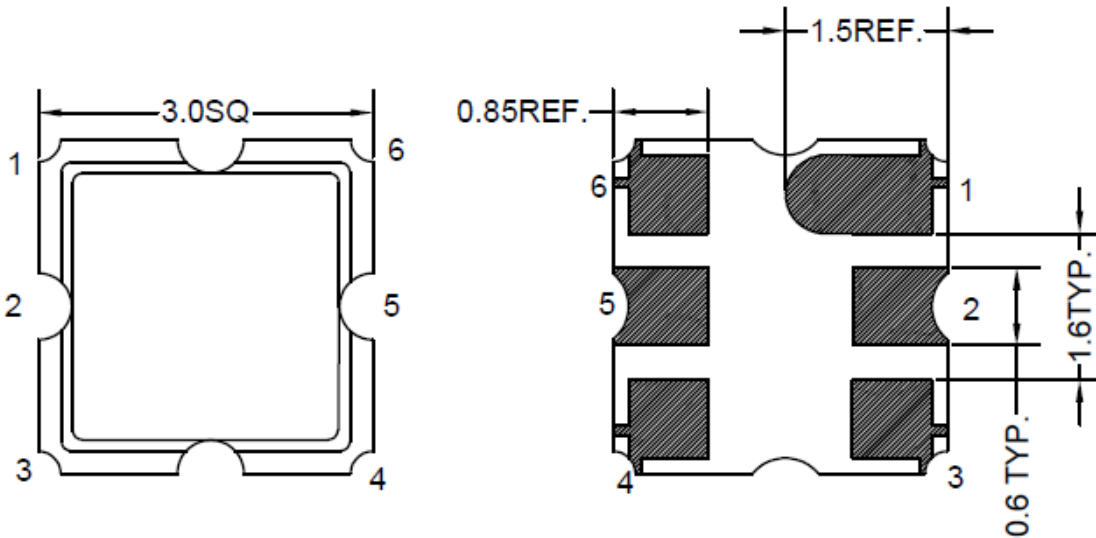


Typical Applications

IOT
Cellular
Telecom
4G/LTE
Wireless Communication
WLAN
Base Station
Radar

Mechanical Drawing & Pin Connections

Drawing No: MD240080-1



PIN	Function
#2	INPUT
#5	OUTPUT
Others	GND

Unit in mm

1mm = 0.0394 inches

Not Specified Tolerance: ±0.2mm



Specifications

Parameter		Min.	Typical	Max.	Units
Center Frequency	Fc		918.6		MHz
Insertion Loss (916.8~920.4 MHz)	IL		4.2	7.0	dB
Amplitude Ripple (916.8~920.4 MHz)			0.7	4.5	dB
Attenuation (Reference level from 0 dB)					
715 ~ 900	MHz	15	47		dB
900 ~ 915	MHz	2.5	6		dB
928 ~ 1000	MHz	5	20		dB
1000 ~1500	MHz	15	41		dB
Temperature Coefficient of Frequency			-36		ppm/°C
Input Power Level			10		dBm
DC Voltage			5		V
Operating Temperature Range		0		+80	°C
Storage Temperature Range		-30		+85	°C
Moisture Sensitivity Level		Level 1(MSL1)			