



Features and Benefits

Center frequency: 902.5MHz
I.L: 5dB Max.
Operating temperature: -40°C to +105°C
Size: 3x3x1.4mm
Package type: Surface Mount

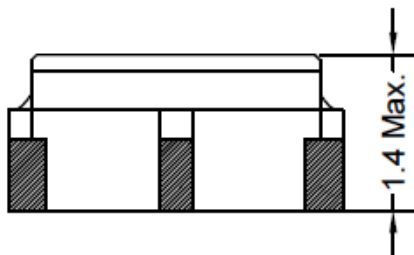
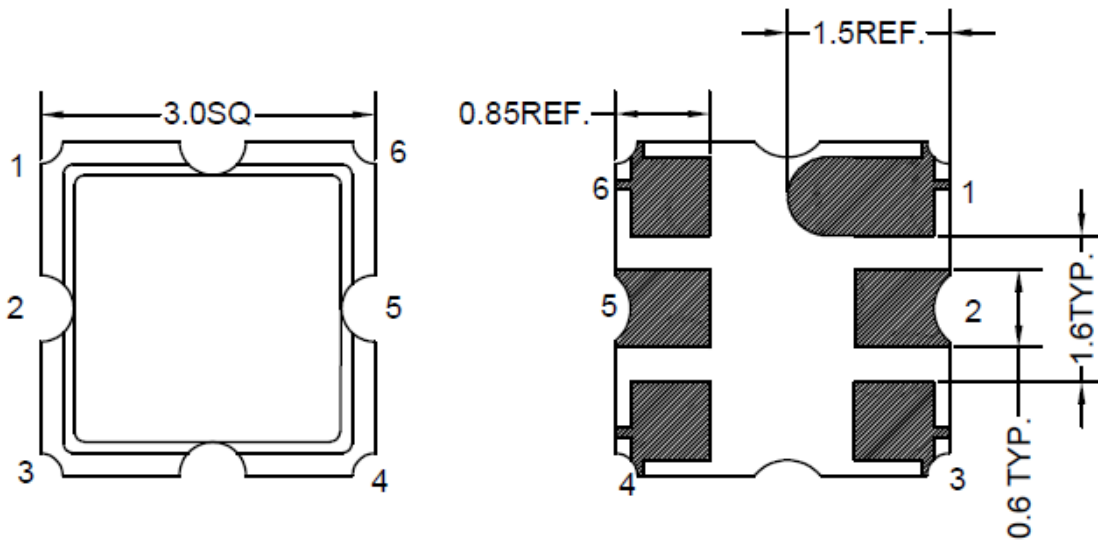


Typical Applications

IOT
Cellular
Telecom
4G/LTE
Wireless Communication
WLAN
Base Station
Radar

Mechanical Drawing & Pin Connections

Drawing No: MD240080-1



PIN	Function
#2	INPUT
#5	OUTPUT
Others	GND

Unit in mm
1mm = 0.0394 inches
Not Specified Tolerance: ±0.2mm



Specifications

Parameter		Min.	Typical	Max.	Units
Center Frequency	Fc		902.5		MHz
Insertion Loss (890~915 MHz)	IL		3.7	5.0	dB
Amplitude Ripple (890~915 MHz)			1.3	2.5	dB
VSWR (890~915 MHz)			1.5	2.5	
Attenuation (Reference level from 0 dB)					
0 ~ 845	MHz	45	51		dB
925 ~ 935	MHz	5	21		dB
935 ~ 980	MHz	25	28		dB
980 ~ 1200	MHz	50	56		dB
1200 ~ 3000	MHz	25	28		dB
Input Power Level			20		dBm
DC Voltage			5		V
Operating Temperature Range		-40		+105	°C
Storage Temperature Range		-40		+105	°C
Moisture Sensitivity Level		Level 1(MSL1)			
Source impedance (single ended)			50		Ω
Load impedance (single ended)			50		Ω

Note: No matching network required for operation at 50 Ω