



Features and Benefits

Center frequency: 433.92MHz
I.L: 3dB Max.
Operating temperature: -40°C to +85°C
Size: 3x3x1.4mm
Package type: Surface Mount

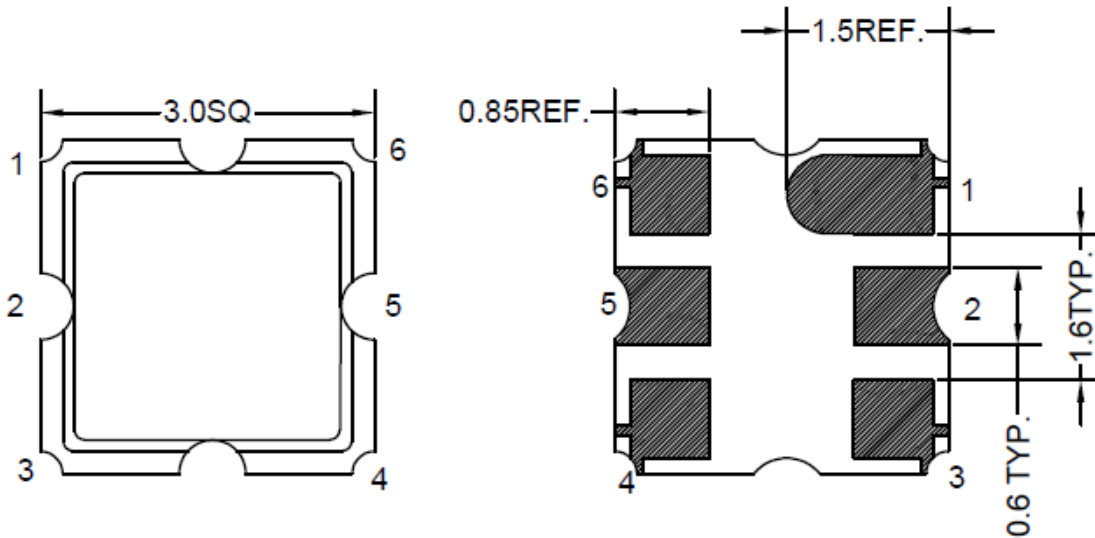


Typical Applications

IOT
Cellular
Telecom
4G/LTE
Wireless Communication
WLAN
Base Station
Radar

Mechanical Drawing & Pin Connections

Drawing No: MD240080-1



PIN	Function
#2	INPUT
#5	OUTPUT
Others	GND

Unit in mm
1mm = 0.0394 inches
Not Specified Tolerance: ±0.2mm



Specifications

Parameter		Min.	Typical	Max.	Units
Center Frequency	Fc		433.92		MHz
Insertion Loss (433.05~434.79 MHz)	IL		1.6	3	dB
Amplitude Ripple (433.05~434.79 MHz)			0.2	1.4	dB
VSWR (433.05~434.79 MHz)			1.3	2.2	
Attenuation (Reference level from 0 dB)					
10~380	MHz	58	65		dB
380~423.42	MHz	46	53		dB
443.42~453.42	MHz	25	32		dB
453.42~460	MHz	35	45		dB
460~700	MHz	50	59		dB
700~1000	MHz	42	61		dB
In/Out Impedance (Single)			50		ohm
Input Power Level			10		dBm
DC Voltage			3		V
Operating Temperature Range		-40		+85	°C
Storage Temperature Range		-40		+85	°C
Moisture Sensitivity Level		Level 1(MSL1)			

Note. No matching network required for operation at 50ohm.