



Features and Benefits

Center frequency: 423.75MHz
I.L: 3.5dB Max.
Operating temperature: -40°C to +85°C
Size: 3x3x1.4mm
Package type: Surface Mount

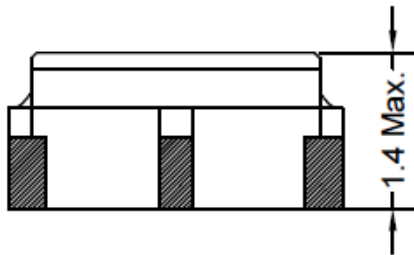
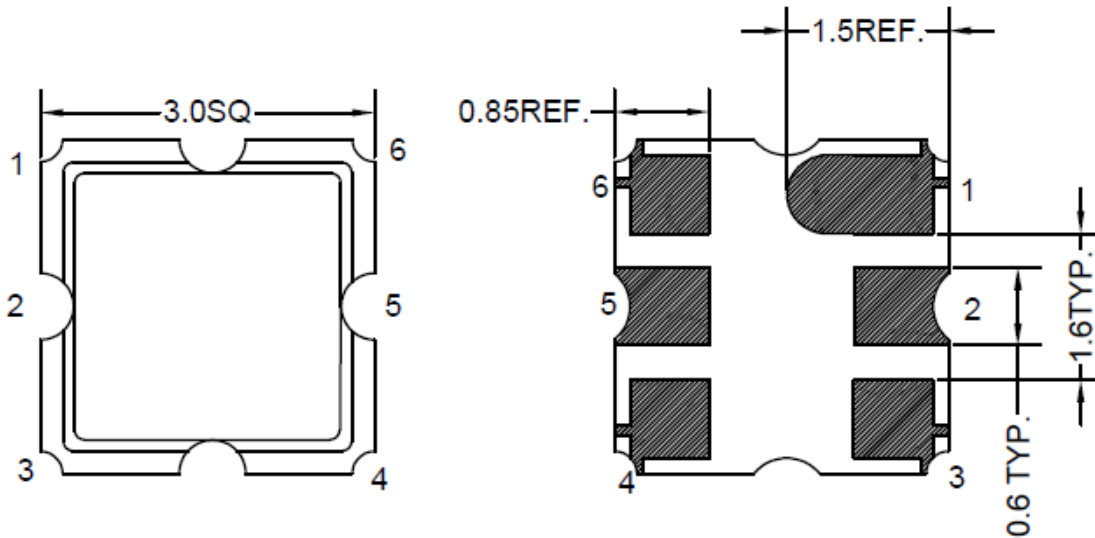


Typical Applications

IOT
Cellular
Telecom
4G/LTE
Wireless Communication
WLAN
Base Station
Radar

Mechanical Drawing & Pin Connections

Drawing No: MD240080-1



PIN	Function
#2	INPUT
#5	OUTPUT
Others	GND

Unit in mm
1mm = 0.0394 inches
Not Specified Tolerance: ±0.2mm



Specifications

Parameter		Min.	Typical	Max.	Units
Center Frequency	Fc		423.75		MHz
Insertion Loss (421.5~426 MHz)	IL		1.8	3.5	dB
Amplitude Ripple (421.5~426 MHz)			0.3	2.2	dB
VSWR (421.5~426 MHz)			1.4	2.2	
Group Delay Ripple(421.5~426 MHz)			60	220	ns
Attenuation (Reference level from 0 dB)					
0.3~410	MHz	45	60		dB
411.5~416	MHz	15	50		dB
450~480	MHz	45	61		
480~1000	MHz	40	55		dB
1000~2000	MHz	35	48		dB
Temperature Coefficient of Frequency			-36		ppm/°C
Input Power Level			15		dBm
DC Voltage			0		V
Operating Temperature Range		-40		+85	°C
Storage Temperature Range		-40		+85	°C