



### Features and Benefits

Center frequency: 3540MHz  
I.L: 4.6dB Max.  
Operating temperature: -40°C to +95°C  
Size: 3x3x1.4mm  
Package type: Surface Mount

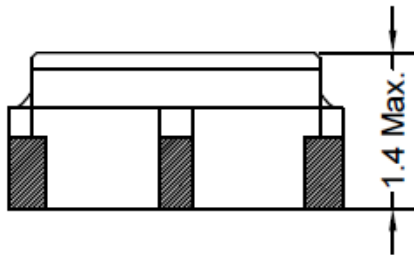
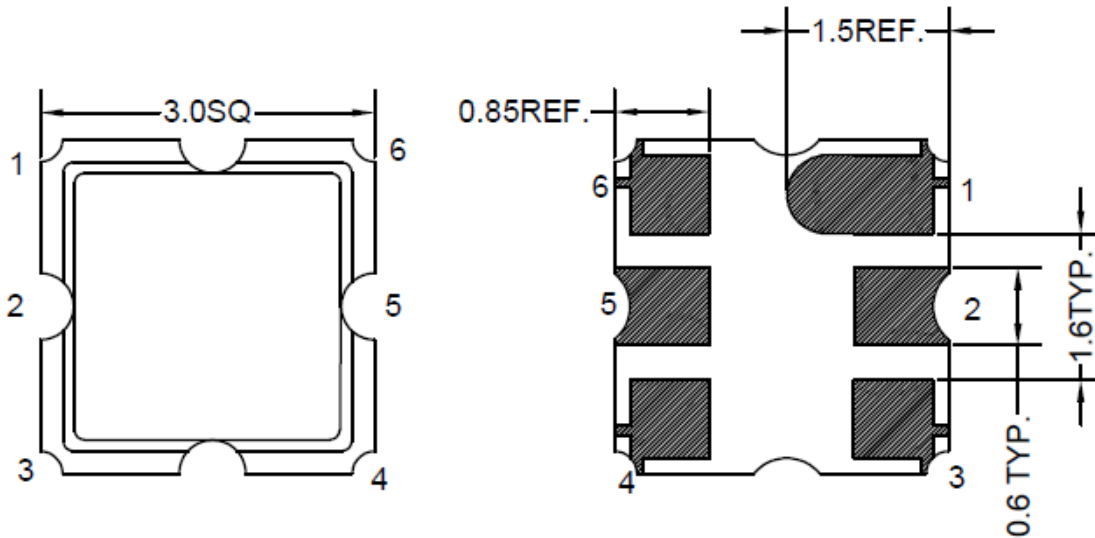


### Typical Applications

IOT  
Cellular  
Telecom  
4G/LTE  
Wireless Communication  
WLAN  
Base Station  
Radar

### Mechanical Drawing & Pin Connections

Drawing No: MD240080-1



PIN	Function
#2	INPUT
#5	OUTPUT
Others	GND

Unit in mm

1mm = 0.0394 inches

Not Specified Tolerance: ±0.2mm



### Specifications

Parameter	Min.	Typical	Max.	Units
Center Frequency Fc		3540		MHz
Insertion Loss (3480~3600 MHz) IL		3.6	4.6	dB
Amplitude Ripple (3480~3600 MHz)		0.8	2.5	dB
Amplitude Ripple (3480~3600 MHz) (Over any 20 MHz span)		1.1	1.8	dB
VSWR (3480~3600 MHz)		1.9	2.4	
Absolute Group Delay (3480~3600 MHz)		5	20	ns
Group Delay Ripple (3480~3600 MHz)		5	15	ns
Attenuation (Reference level from 0 dB)				
10~2000 MHz	27	29		dB
2000~3019 MHz	20	29		dB
3019~3233 MHz	22	35		dB
3233~3380 MHz	10	36		dB
3680~3700 MHz	8	47		dB
3700~3847 MHz	15	41		dB
3847~3908 MHz	20	40		dB
3908~5350 MHz	15	37		dB
5350~5500 MHz	10	35		dB
Temperature Coefficient of Frequency		-36		ppm/k
Input Power Level (2h, 95°C)		23		dBm
DC Voltage		3		V
Operating Temperature Range	-40		+95	°C
Storage Temperature Range	-40		+95	°C
Moisture Sensitivity Level	Level 1(MSL1)			