



Features and Benefits

Center frequency: 2675MHz
I.L: 3.5dB Max.
Operating temperature: -30°C to +85°C
Size: 3x3x1.4mm
Package type: Surface Mount

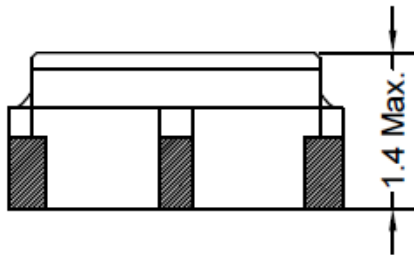
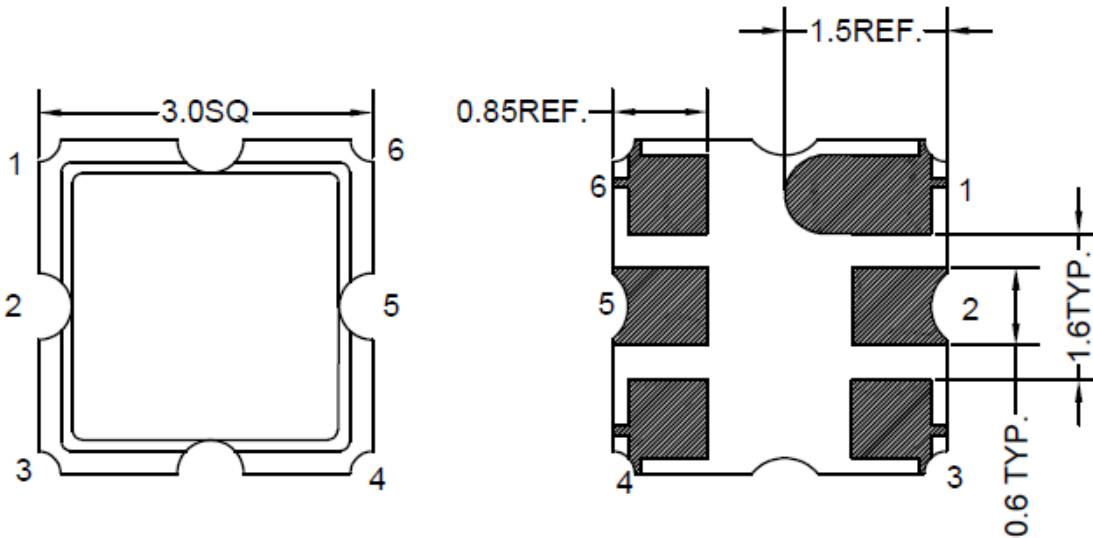


Typical Applications

IOT
Cellular
Telecom
4G/LTE
Wireless Communication
WLAN
Base Station
Radar

Mechanical Drawing & Pin Connections

Drawing No: MD240080-1



PIN	Function
#2	INPUT
#5	OUTPUT
Others	GND

Unit in mm
1mm = 0.0394 inches
Not Specified Tolerance: ±0.2mm



Specifications

Parameter		Min.	Typical	Max.	Units
Center Frequency	Fc		2675		MHz
Insertion Loss (2660~2690 MHz)	IL		2.8	3.5	dB
Amplitude Ripple (2660~2690 MHz)			0.8	2.2	dB
Return Loss (2660~2690 MHz)		9	22		dB
Attenuation (Reference level from 0 dB)					
2100~2550	MHz	35	42		dB
2770~2930	MHz	40	50		dB
2930~3100	MHz	35	45		dB
Input Power Level			10		dBm
DC Voltage			3		V
Operating Temperature Range		-30		+85	°C
Storage Temperature Range		-40		+95	°C