



Features and Benefits

Center frequency: 2657MHz
I.L: 3.6dB Max.
Operating temperature: -20°C to +70°C
Size: 3x3x1.4mm
Package type: Surface Mount

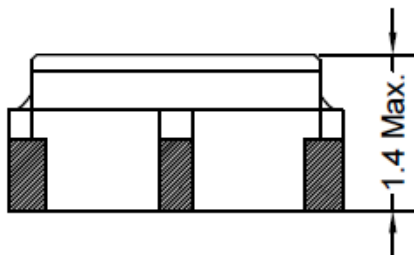
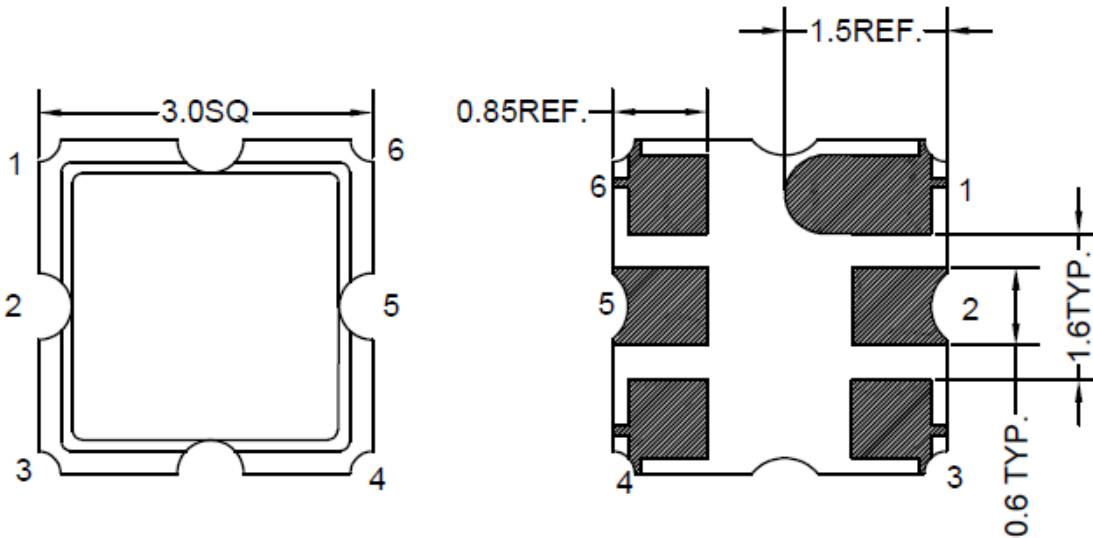


Typical Applications

IOT
Cellular
Telecom
4G/LTE
Wireless Communication
WLAN
Base Station
Radar

Mechanical Drawing & Pin Connections

Drawing No: MD240080-1



| PIN | Function |
|--------|----------|
| #2 | INPUT |
| #5 | OUTPUT |
| Others | GND |

Unit in mm
1mm = 0.0394 inches
Not Specified Tolerance: ±0.2mm



Specifications

| Parameter | | Min. | Typical | Max. | Units |
|---|-----|------|---------|------|-------|
| Center Frequency | Fc | | 2657 | | MHz |
| Insertion Loss (2624~2690 MHz) | IL | | 2.3 | 3.6 | dB |
| Amplitude Ripple (2624~2690 MHz) | | | 0.8 | 2 | dB |
| VSWR (2624~2690 MHz) | | | 1.9 | 2.5 | dB |
| Attenuation (Reference level from 0 dB) | | | | | |
| DC~2100 | MHz | 25 | 31 | | dB |
| 2100~2515 | MHz | 27 | 34 | | dB |
| 2770~4000 | MHz | 30 | 37 | | dB |
| 4000~5000 | MHz | 15 | 22 | | dB |
| Input Power Level | | | 10 | | dBm |
| DC Voltage | | | 3 | | V |
| Operating Temperature Range | | -20 | | +70 | °C |
| Storage Temperature Range | | -40 | | +85 | °C |