



Features and Benefits

Center frequency: 2641.5MHz
I.L: 4dB Max.
Operating temperature: -20°C to +70°C
Size: 3x3x1.4mm
Package type: Surface Mount

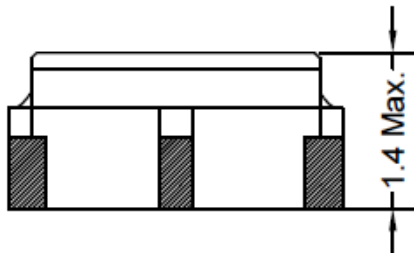
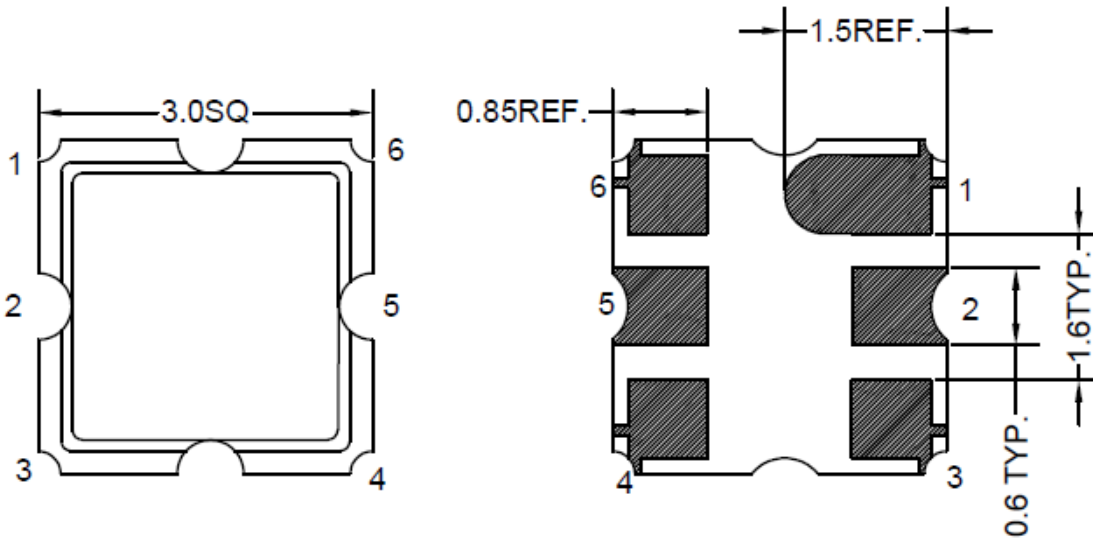


Typical Applications

IOT
Cellular
Telecom
4G/LTE
Wireless Communication
WLAN
Base Station
Radar

Mechanical Drawing & Pin Connections

Drawing No: MD240080-1



PIN	Function
#2	INPUT
#5	OUTPUT
Others	GND

Unit in mm

1mm = 0.0394 inches

Not Specified Tolerance: ±0.2mm



Specifications

Parameter	Min.	Typical	Max.	Units
Center Frequency Fc		2641.5		MHz
Insertion Loss (2593~2690 MHz) IL		2.3	4	dB
Amplitude Ripple (2593~2690 MHz)		1.3	2.5	dB
VSWR (2593~2690 MHz)		2	2.5	
Attenuation (Reference level from 0 dB)				
DC~2520 MHz	25	28		dB
2760~4000 MHz	30	36		dB
4000~5000 MHz	15	26		dB
Temperature Coefficient of Frequency		-36		ppm/°C
Input Power Level		10		dBm
DC Voltage		3		V
Operating Temperature Range	-20		+70	°C
Storage Temperature Range	-30		+85	°C