



Features and Benefits

Center frequency: 2593MHz
I.L: 4.8dB Max.
Operating temperature: -30°C to +100°C
Size: 3x3x1.4mm
Package type: Surface Mount

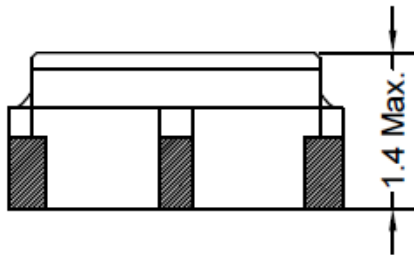
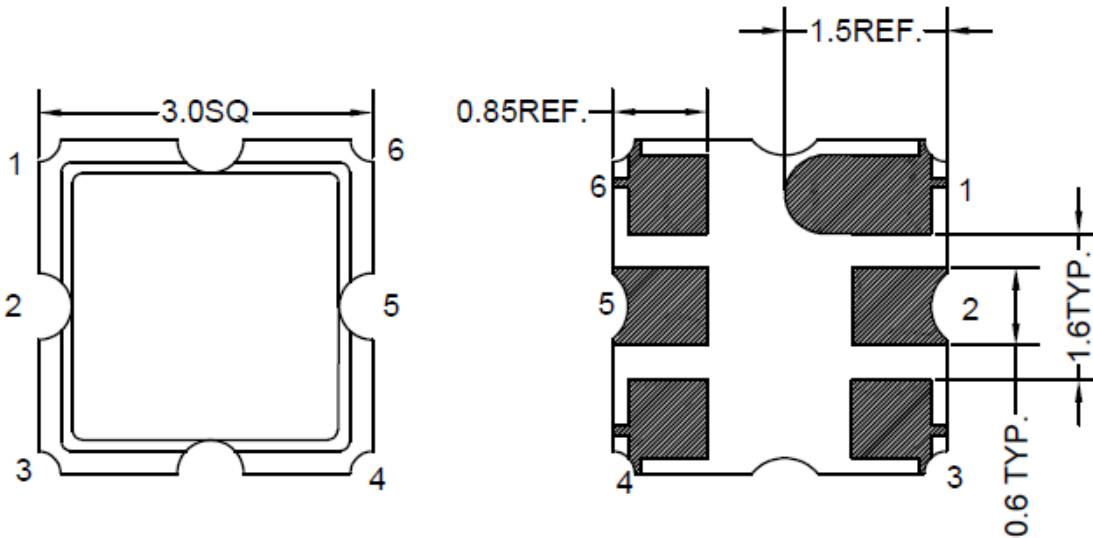


Typical Applications

IOT
Cellular
Telecom
4G/LTE
Wireless Communication
WLAN
Base Station
Radar

Mechanical Drawing & Pin Connections

Drawing No: MD240080-1



PIN	Function
#2	INPUT
#5	OUTPUT
Others	GND

Unit in mm
1mm = 0.0394 inches
Not Specified Tolerance: ±0.2mm



Specifications

Parameter		Min.	Typical	Max.	Units
Center Frequency	Fc		2593		MHz
Insertion Loss (2496~2690 MHz)	IL		4	4.8	dB
Amplitude Ripple (2496~2690 MHz)			1.1	2	dB
VSWR (2496~2690 MHz)			2.3	2.7	
Group Delay Ripple (2496~2690 MHz)			3	15	ns
Attenuation (Reference level from 0 dB)					
10~2025	MHz	18	23		dB
2131~2170	MHz	21	26		dB
2170~2300	MHz	22	27		dB
2300~2400	MHz	7	13		dB
2800~3000	MHz	7	12		dB
3000~3800	MHz	20	25		dB
3800~5850	MHz	20	25		dB
Temperature Coefficient of Frequency			-80		ppm/k
Input Power Level			16		dBm
DC Voltage			3		V
Operating Temperature Range		-30		+100	°C
Storage Temperature Range		-40		+120	°C