



Features and Benefits

Center frequency: 2592.5MHz
I.L: 4dB Max.
Operating temperature: -20°C to +70°C
Size: 3x3x1.4mm
Package type: Surface Mount

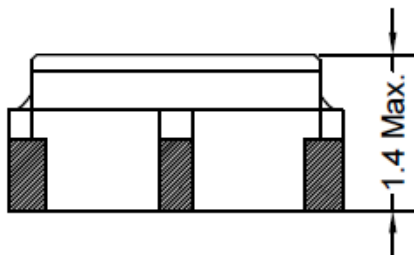
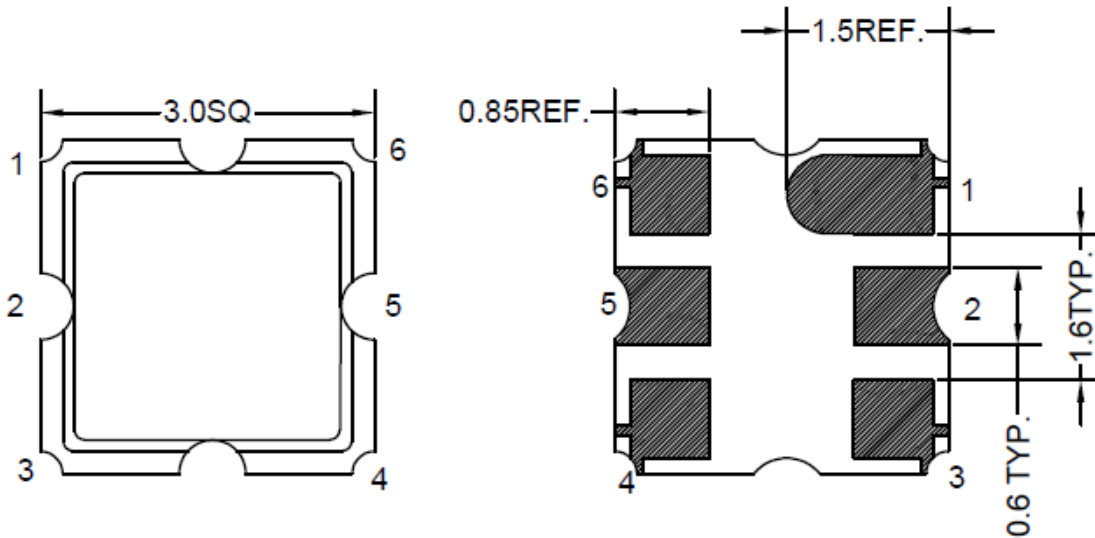


Typical Applications

IOT
Cellular
Telecom
4G/LTE
Wireless Communication
WLAN
Base Station
Radar

Mechanical Drawing & Pin Connections

Drawing No: MD240080-1



PIN	Function
#2	INPUT
#5	OUTPUT
Others	GND

Unit in mm
1mm = 0.0394 inches
Not Specified Tolerance: ±0.2mm



Specifications

Parameter		Min.	Typical	Max.	Units
Center Frequency	Fc		2592.5		MHz
Insertion Loss (2579~2606 MHz)	IL		2.6	4	dB
Amplitude Ripple (2579~2606 MHz)			0.9	2.5	dB
Return Loss (2579~2606 MHz)		9	16		dB
Attenuation (Reference level from 0 dB)					
DC~2450	MHz	35	43		dB
2700~2850	MHz	40	56		dB
2850~3000	MHz	35	50		dB
Input Power Level			10		dBm
DC Voltage			3		V
Operating Temperature Range		-20		+70	°C
Storage Temperature Range		-40		+85	°C