



Features and Benefits

Center frequency: 2534MHz
I.L: 3.6dB Max.
Operating temperature: -40°C to +85°C
Size: 3x3x1.4mm
Package type: Surface Mount

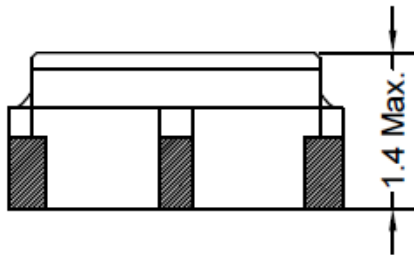
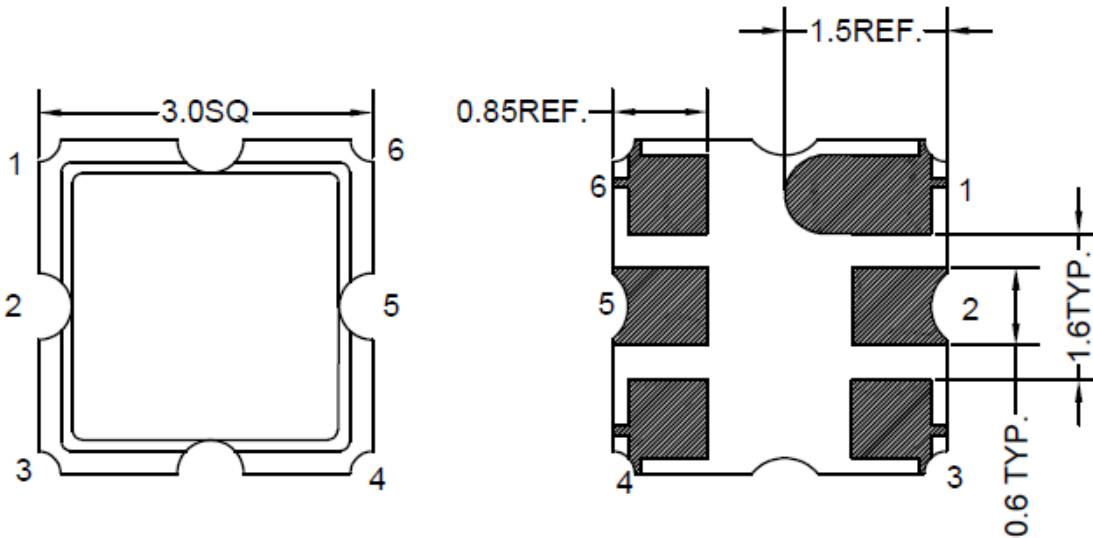


Typical Applications

IOT
Cellular
Telecom
4G/LTE
Wireless Communication
WLAN
Base Station
Radar

Mechanical Drawing & Pin Connections

Drawing No: MD240080-1



PIN	Function
#2	INPUT
#5	OUTPUT
Others	GND

Unit in mm
1mm = 0.0394 inches
Not Specified Tolerance: ±0.2mm



Specifications

Parameter	Min.	Typical	Max.	Units
Center Frequency Fc		2534		MHz
Insertion Loss (2496~2572 MHz) IL		2.4	3.6	dB
Amplitude Ripple (2496~2572 MHz)		1.1	2.2	dB
VSWR (2496~2572 MHz)		1.8	2.5	
Attenuation (Reference level from 0 dB)				
300~2430 MHz	25	30		dB
2630~3000 MHz	30	35		dB
Temperature Coefficient of Frequency		-36		ppm/k
Input Power Level		10		dBm
DC Voltage		3		V
Operating Temperature Range	-40		+85	°C
Storage Temperature Range	-40		+85	°C