



Features and Benefits

Center frequency: 2500MHz
I.L: 2dB Max.
Operating temperature: -40°C to +85°C
Size: 3x3x1.4mm
Package type: Surface Mount

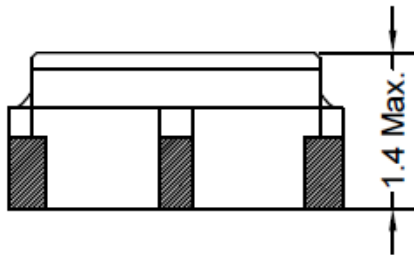
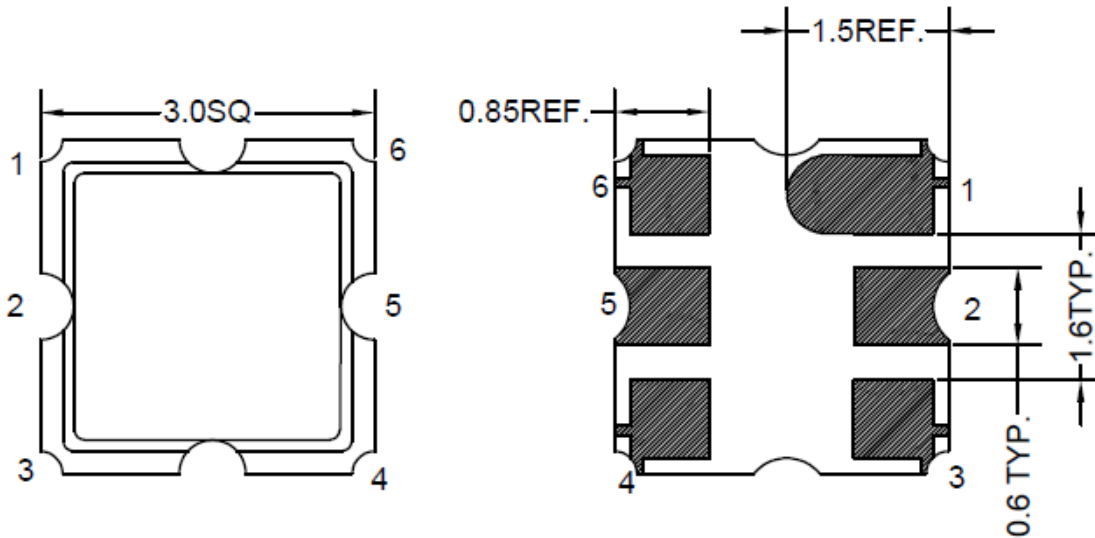


Typical Applications

IOT
Cellular
Telecom
4G/LTE
Wireless Communication
WLAN
Base Station
Radar

Mechanical Drawing & Pin Connections

Drawing No: MD240080-1



PIN	Function
#2	INPUT
#5	OUTPUT
Others	GND

Unit in mm
1mm = 0.0394 inches
Not Specified Tolerance: ±0.2mm



Specifications

Parameter		Min.	Typical	Max.	Units
Center Frequency	Fc		2500		MHz
Insertion Loss (2499~2501 MHz)	IL		1	2	dB
Amplitude Ripple (2499~2501 MHz)			0.1	1	dB
VSWR (2499~2501 MHz)			1.1	2	
Attenuation (Reference level from 0 dB)					
10~2390	MHz	33	39		dB
2580~3000	MHz	40	52		dB
Temperature Coefficient of Frequency			-36		ppm/k
Input Power Level			10		dBm
DC Voltage			3		V
Operating Temperature Range		-40		+85	°C
Storage Temperature Range		-40		+85	°C
Moisture Sensitivity Level		Level 1(MSL1)			