



### Features and Benefits

Center frequency: 2427.5MHz  
I.L: 4.0dB Max.  
Operating temperature: -20°C to +70°C  
Size: 3x3x1.4mm  
Package type: Surface Mount

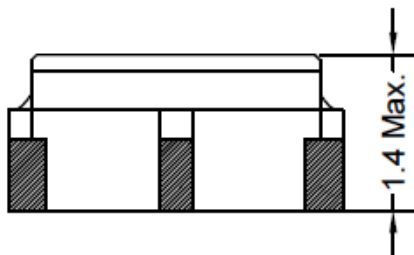
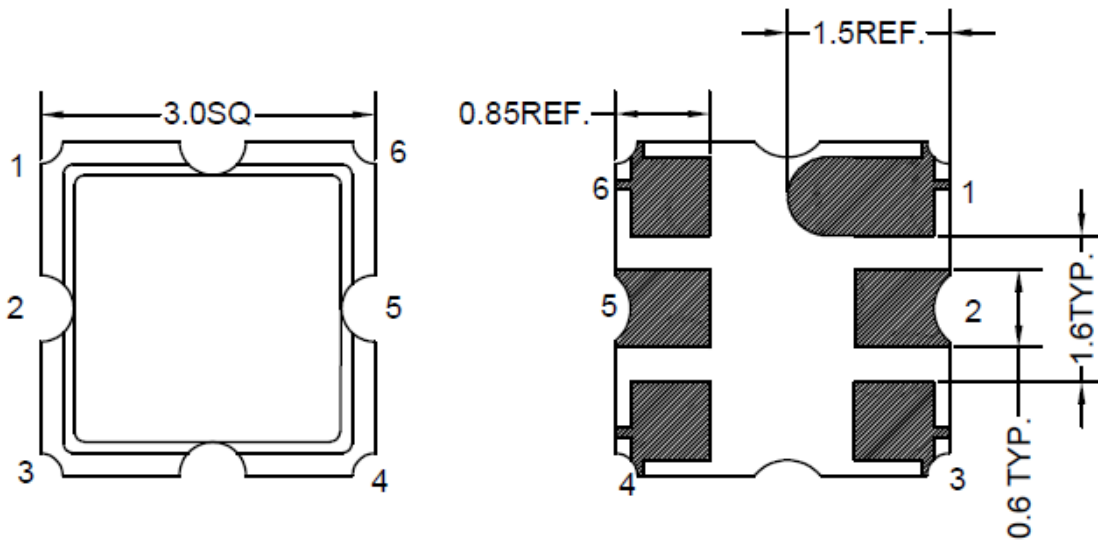


### Typical Applications

IOT  
Cellular  
Telecom  
4G/LTE  
Wireless Communication  
WLAN  
Base Station  
Radar

### Mechanical Drawing & Pin Connections

Drawing No: MD240080-1



| PIN    | Function |
|--------|----------|
| #2     | INPUT    |
| #5     | OUTPUT   |
| Others | GND      |

Unit in mm  
1mm = 0.0394 inches  
Not Specified Tolerance: ±0.2mm



### Specifications

| Parameter                               | Min.    | Typical | Max. | Units  |
|---|---------|---------|------|--------|
| Center Frequency Fc                     |         | 2427.5  |      | MHz    |
| Insertion Loss (2400~2455 MHz) IL       |         | 3.0     | 4.0  | dB     |
| Amplitude Ripple (2400~2455 MHz)        |         | 1.8     | 2.5  | dB     |
| Return Loss (2400~2455 MHz)             | 9.2     | 12      |      | dB     |
| Attenuation (Reference level from 0 dB) |         |         |      |        |
| 800~1900 MHz                            | 30      | 33      |      | dB     |
| 1900~2250 MHz                           | 35      | 38      |      | dB     |
| 2496~2690 MHz                           | 30      | 43      |      | dB     |
| Temperature Coefficient of Frequency    |         | -36     |      | ppm/°C |
| Input Power Level                       |         | 10      |      | dBm    |
| DC Voltage                              |         | 3       |      | V      |
| Operating Temperature Range             | -20     |         | +70  | °C     |
| Storage Temperature Range               | -40     |         | +85  | °C     |
| Moisture Sensitivity Level              | Level 1 |         |      |        |