



### Features and Benefits

Center frequency: 2310MHz  
I.L: 3.9dB Max.  
Operating temperature: -30°C to +85°C  
Size: 3x3x1.4mm  
Package type: Surface Mount

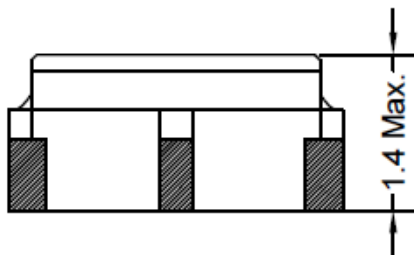
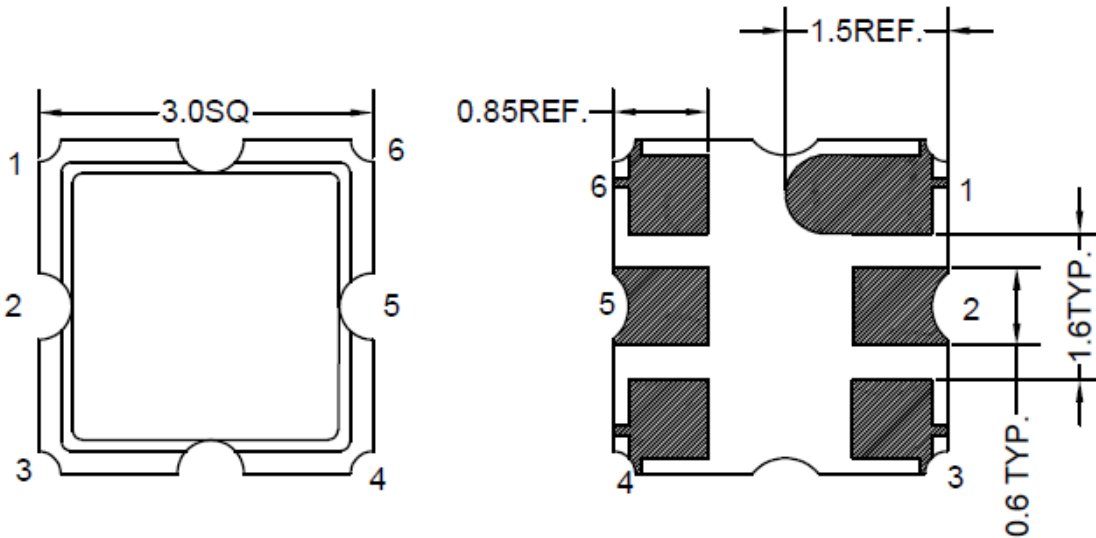


### Typical Applications

IOT  
Cellular  
Telecom  
4G/LTE  
Wireless Communication  
WLAN  
Base Station  
Radar

### Mechanical Drawing & Pin Connections

Drawing No: MD240080-1



PIN	Function
#2	INPUT
#5	OUTPUT
Others	GND

Unit in mm

1mm = 0.0394 inches

Not Specified Tolerance: ±0.2mm



### Specifications

Parameter	Min.	Typical	Max.	Units
Center Frequency Fc		2310		MHz
Insertion Loss (2305~2315 MHz) IL		3.6	3.9	dB
Amplitude Ripple (2305~2315 MHz)		0.5	1.5	dB
VSWR (2305~2315 MHz)		1.4	2.5	
Attenuation (Reference level from 0 dB)				
1928~1933 MHz	42	49		dB
2095~2110 MHz	35	50		dB
2350~2360 MHz	25	47		dB
2620~3600 MHz	27	43		dB
Temperature Coefficient of Frequency		-36		ppm/K
Input Power Level		13		dBm
DC Voltage		5		V
Operating Temperature Range	-30		+85	°C
Storage Temperature Range	-40		+85	°C