



Features and Benefits

Center frequency: 2245MHz
I.L: 6.0dB Max.
Operating temperature: -20°C to +70°C
Size: 3x3x1.4mm
Package type: Surface Mount

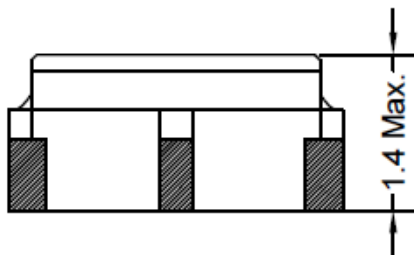
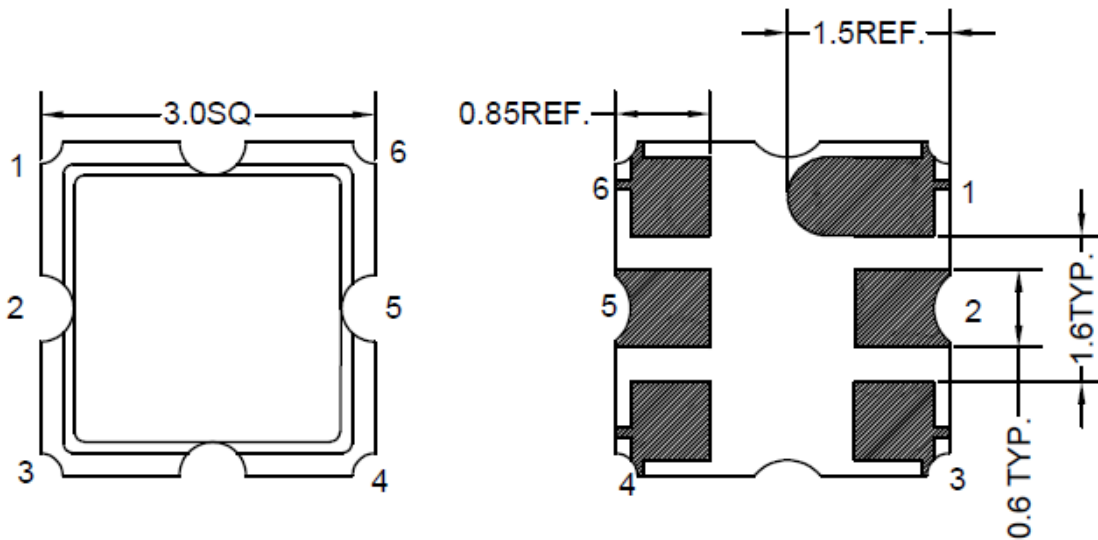


Typical Applications

IOT
Cellular
Telecom
4G/LTE
Wireless Communication
WLAN
Base Station
Radar

Mechanical Drawing & Pin Connections

Drawing No: MD240080-1



PIN	Function
#2	INPUT
#5	OUTPUT
Others	GND

Unit in mm
1mm = 0.0394 inches
Not Specified Tolerance: ±0.2mm



Specifications

Parameter		Min.	Typical	Max.	Units
Center Frequency	Fc		2245		MHz
Insertion Loss (2215~2275 MHz)	IL		4.7	6.0	dB
Bandwidth at -3dB Level	BW3	90	95		MHz
Amplitude Ripple (2215~2275 MHz)			1.1	2.5	dB
VSWR (2215~2275 MHz)			1.7	2.3	
Group Delay Ripple (2215~2275 MHz)			5	15	ns
Attenuation (Reference level from 0 dB)					
2025~2100 MHz		30	50		dB
2375~2490 MHz		20	43		dB
Input Power Level			10		dBm
DC Voltage			3		V
Operating Temperature Range		-20		+70	°C
Storage Temperature Range		-40		+85	°C