



### Features and Benefits

Center frequency: 2115MHz  
I.L: 4.0dB Max.  
Operating temperature: -20°C to +70°C  
Size: 3x3x1.4mm  
Package type: Surface Mount

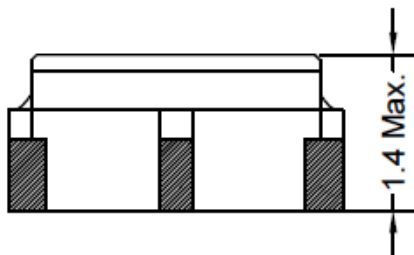
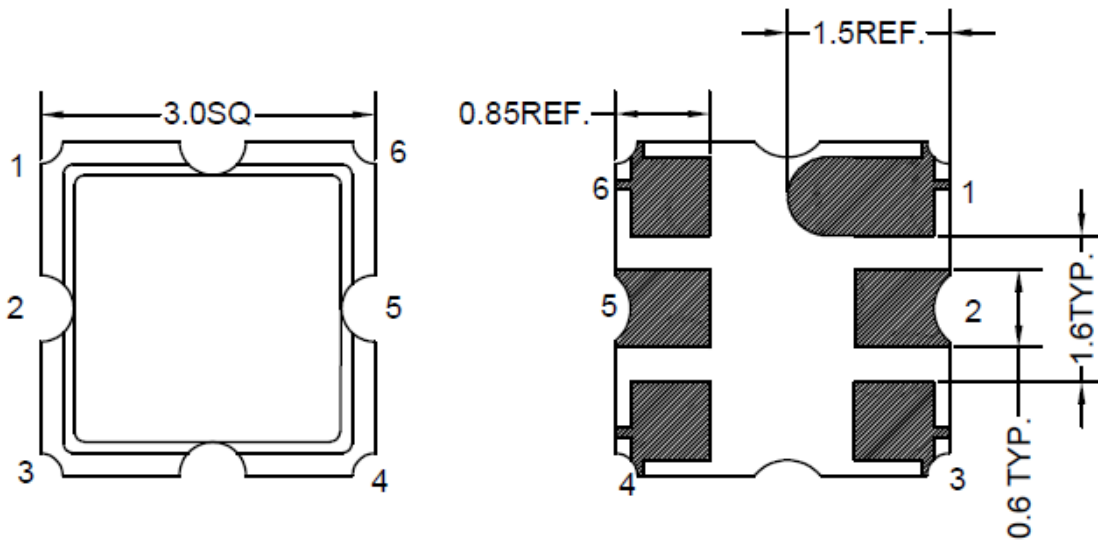


### Typical Applications

IOT  
Cellular  
Telecom  
4G/LTE  
Wireless Communication  
WLAN  
Base Station  
Radar

### Mechanical Drawing & Pin Connections

Drawing No: MD240080-1



PIN	Function
#2	INPUT
#5	OUTPUT
Others	GND

Unit in mm  
1mm = 0.0394 inches  
Not Specified Tolerance: ±0.2mm



## Specifications

Parameter	Min.	Typical	Max.	Units
Center Frequency Fc		2115		MHz
Insertion Loss (2110~2120 MHz) IL		2.0	4.0	dB
Amplitude Ripple (2110~2120 MHz)		0.4	2.0	dB
VSWR (2110~2120 MHz)		1.3	2.5	
Attenuation (Reference level from 0 dB)				
0.3~1800 MHz	18	30		dB
1915~2035 MHz	22	36		dB
2215~4000 MHz	22	28		dB
Source Impedance		50		$\Omega$
Load Impedance		50		$\Omega$
Input Power Level		10		dBm
DC Voltage		3		V
Operating Temperature Range	-20		+70	$^{\circ}\text{C}$
Storage Temperature Range	-40		+85	$^{\circ}\text{C}$