



Features and Benefits

Center frequency: 2062.5MHz
I.L: 4.0dB Max.
Operating temperature: -20°C to +70°C
Size: 3x3x1.4mm
Package type: Surface Mount

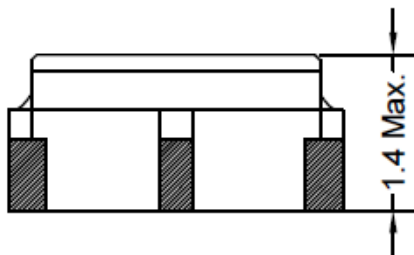
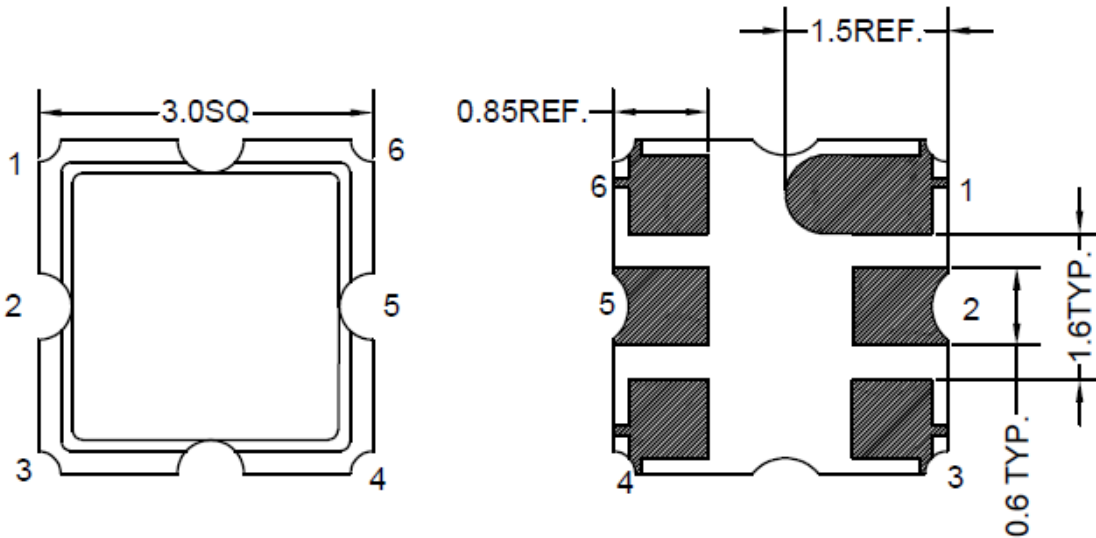


Typical Applications

IOT
Cellular
Telecom
4G/LTE
Wireless Communication
WLAN
Base Station
Radar

Mechanical Drawing & Pin Connections

Drawing No: MD240080-1



PIN	Function
#2	INPUT
#5	OUTPUT
Others	GND

Unit in mm
1mm = 0.0394 inches
Not Specified Tolerance: ±0.2mm



Specifications

Parameter		Min.	Typical	Max.	Units
Center Frequency	Fc		2062.5		MHz
Insertion Loss (2025~2100 MHz)	IL		2.8	4.0	dB
Amplitude Ripple (2025~2100 MHz)			1.4	2.5	dB
Amplitude Ripple (Variation over 3MHz)			0.4	1.2	dB
I/O VSWR (2025~2100 MHz)			2.0	2.5	
Group Delay Ripple (Variation over 3MHz)			4	12	ns
Attenuation (Reference level from 0 dB)					
10~1940 MHz		25	28		dB
2180~3000 MHz		30	32		dB
Input Power Level			10		dBm
DC Voltage			5		V
Operating Temperature Range		-20		+70	°C
Storage Temperature Range		-40		+85	°C