



### Features and Benefits

Center frequency: 1905MHz  
I.L: 3.2dB Max.  
Operating temperature: -40°C to +85°C  
Size: 3x3x1.4mm  
Package type: Surface Mount

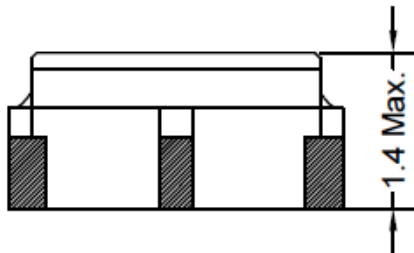
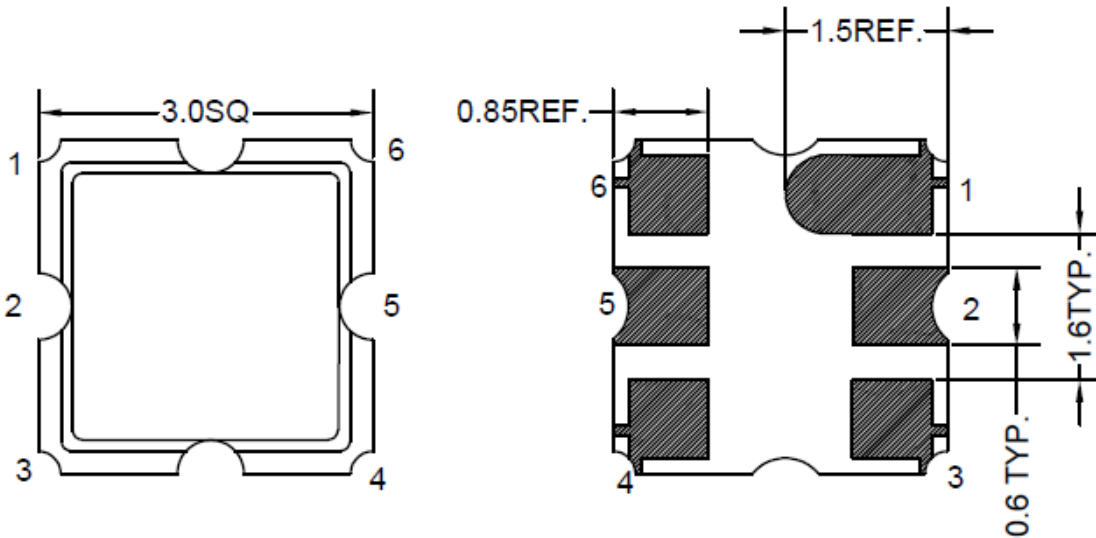


### Typical Applications

IOT  
Cellular  
Telecom  
4G/LTE  
Wireless Communication  
WLAN  
Base Station  
Radar

### Mechanical Drawing & Pin Connections

Drawing No: MD240080-1



PIN	Function
#2	INPUT
#5	OUTPUT
Others	GND

Unit in mm

1mm = 0.0394 inches

Not Specified Tolerance: ±0.2mm



### Specifications

Parameter	Min.	Typical	Max.	Units
Center Frequency Fc		1905		MHz
Insertion Loss (1880~1930 MHz) IL		2.7	3.2	dB
Amplitude Ripple (1880~1930 MHz)		1.0	1.6	dB
Group Delay Ripple (1880~1930 MHz)		6	40	ns
VSWR (1880~1930 MHz)		1.7	2.4	
Attenuation (Reference level from 0 dB)				
10~1820 MHz	30	31.5		dB
1820~1835 MHz	15	43		dB
1970~2010 MHz	15	33		dB
2010~2025 MHz	40	52		dB
2110~2170 MHz	35	38		dB
2300~2400 MHz	35	39		dB
2400~3000 MHz	28	41		dB
Temperature Coefficient of Frequency		-36		ppm/°C
Input Power Level		20		dBm
DC Voltage		3		V
Operating Temperature Range	-40		+85	°C
Storage Temperature Range	-40		+85	°C