



### Features and Benefits

Center frequency: 1860MHz  
I.L: 4.0dB Max.  
Operating temperature: -20°C to +70°C  
Size: 3x3x1.4mm  
Package type: Surface Mount

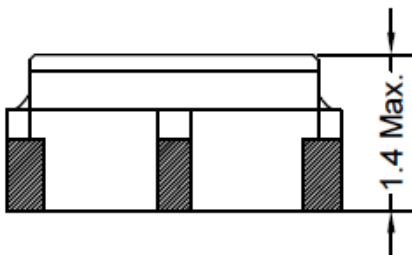
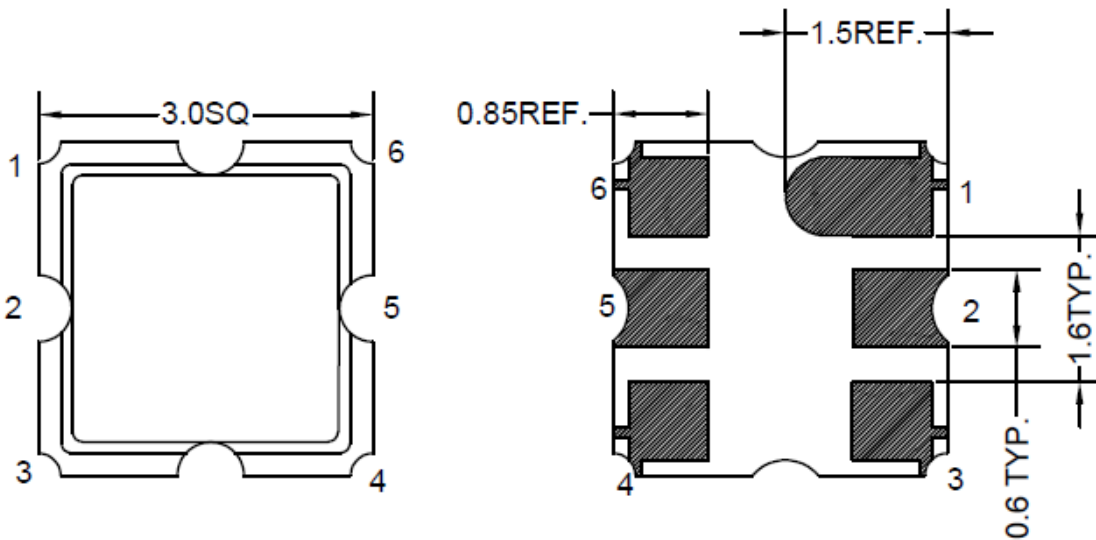


### Typical Applications

IOT  
Cellular  
Telecom  
4G/LTE  
Wireless Communication  
WLAN  
Base Station  
Radar

### Mechanical Drawing & Pin Connections

Drawing No: MD240080-1



PIN	Function
#2	INPUT
#5	OUTPUT
Others	GND

Unit in mm

1mm = 0.0394 inches

Not Specified Tolerance: ±0.2mm



## Specifications

Parameter		Min.	Typical	Max.	Units
Center Frequency	Fc		1860		MHz
Insertion Loss (1842.5~1877.5 MHz)	IL		1.9	4	dB
Amplitude Ripple (1842.5~1877.5 MHz)			0.5	2.2	dB
VSWR (1842.5~1877.5 MHz)			1.4	2.2	
Attenuation (Reference level from 0 dB)					
1605~1635	MHz	35	38		dB
1808	MHz	15	28		dB
1950~2500	MHz	40	42		dB
Temperature Coefficient of Frequency			-36		ppm/°C
Source Impedance (single ended)			50		Ω
Load Impedance (single ended)			50		Ω
Input Power Level			10		dBm
DC Voltage			3		V
Operating Temperature Range		-20		+70	°C
Storage Temperature Range		-30		+85	°C