



Features and Benefits

Center frequency: 1663MHz
I.L: 5dB Max.
Operating temperature: -40°C to +85°C
Size: 3x3x1.4mm
Package type: Surface Mount

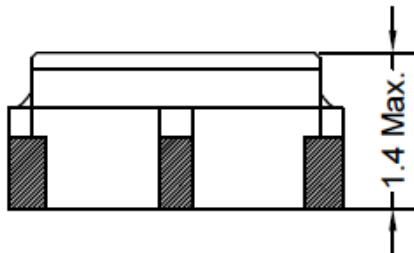
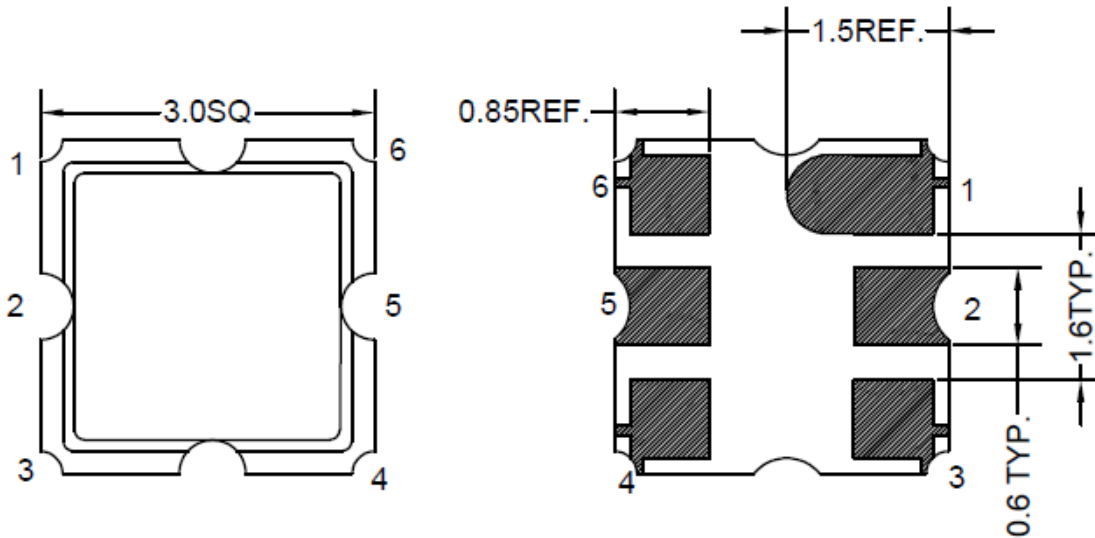


Typical Applications

IOT
Cellular
Telecom
4G/LTE
Wireless Communication
WLAN
Base Station
Radar

Mechanical Drawing & Pin Connections

Drawing No: MD240080-1



PIN	Function
#2	INPUT
#5	OUTPUT
Others	GND

Unit in mm

1mm = 0.0394 inches

Not Specified Tolerance: ±0.2mm



Specifications

Parameter		Min.	Typical	Max.	Units
Center Frequency	Fc		1663		MHz
Insertion Loss (1648~1678 MHz)	IL		3.5	5	dB
Amplitude Ripple (1648~1678 MHz)			0.5	2.2	dB
Attenuation (Reference level from 0 dB)					
1596~1610	MHz	30	52		dB
1610~1616	MHz	20	40		dB
1616~1623	MHz	10	27		dB
1700~1712	MHz	10	19		dB
1712~1727	MHz	20	30		dB
Temperature Coefficient of Frequency			-36		ppm/k
Input Power Level			10		dBm
DC Voltage			3		V
Operating Temperature Range		-40		+85	°C
Storage Temperature Range		-40		+85	°C
Moisture Sensitivity Level		Level 1(MSL1)			