



Features and Benefits

Center frequency: 1615.68MHz
I.L: 4dB Max.
Operating temperature: -55°C to +125°C
Size: 3x3x1.4mm
Package type: Surface Mount

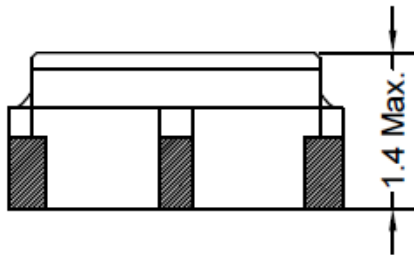
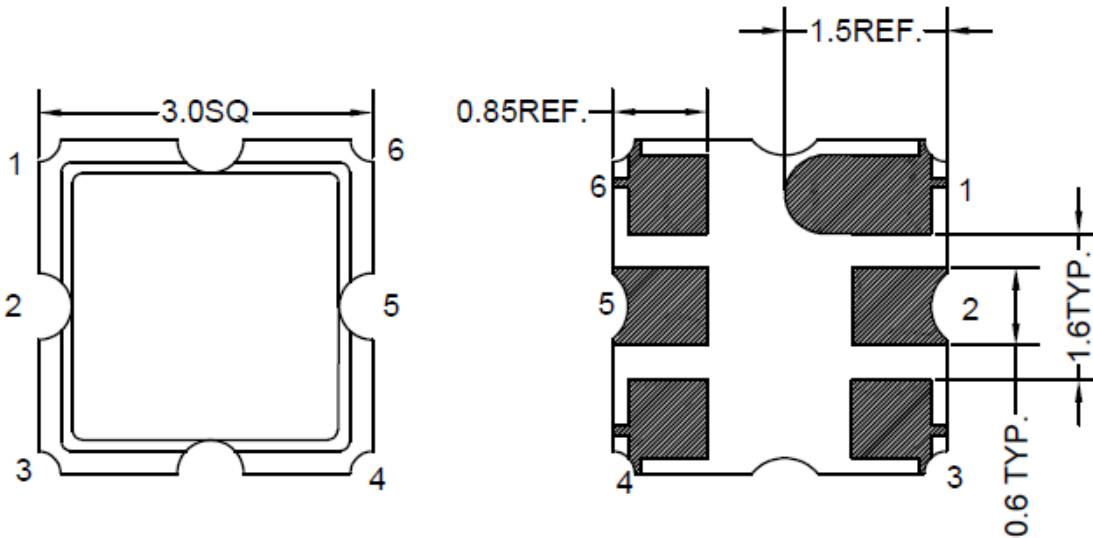


Typical Applications

IOT
Cellular
Telecom
4G/LTE
Wireless Communication
WLAN
Base Station
Radar

Mechanical Drawing & Pin Connections

Drawing No: MD240080-1



PIN	Function
#2	INPUT
#5	OUTPUT
Others	GND

Unit in mm
1mm = 0.0394 inches
Not Specified Tolerance: ±0.2mm



Specifications

Parameter	Min.	Typical	Max.	Units
Center Frequency Fc		1615.68		MHz
Insertion Loss (1611.6~1619.76 MHz) IL		2.2	4	dB
Amplitude Ripple (1611.6~1619.76 MHz)		0.6	2	dB
Bandwidth @ -3dB	8.16	29		MHz
Attenuation (Reference level from 0 dB)				
1515.68~1570 MHz	38	45		dB
1580 MHz	30	51		dB
1650 MHz	30	53		dB
1660~1715.68 MHz	50	59		dB
Temperature Coefficient of Frequency		-36		ppm/k
Input Power Level		13		dBm
DC Voltage		3		V
Operating Temperature Range	-55		+125	°C
Storage Temperature Range	-55		+125	°C