



Features and Benefits

Center frequency: 1581MHz
I.L: 4dB Max.
Operating temperature: -20°C to +70°C
Size: 3x3x1.4mm
Package type: Surface Mount

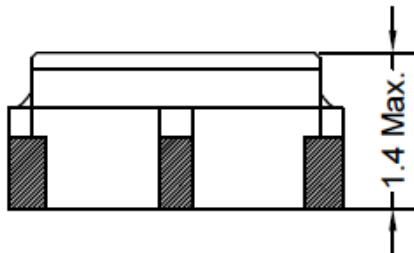
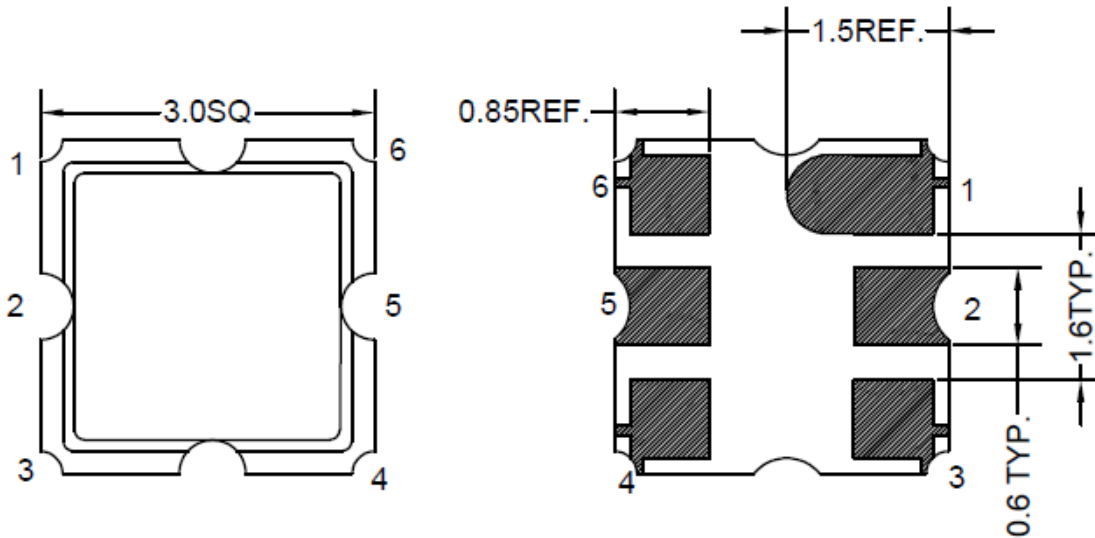


Typical Applications

IOT
Cellular
Telecom
4G/LTE
Wireless Communication
WLAN
Base Station
Radar

Mechanical Drawing & Pin Connections

Drawing No: MD240080-1



PIN	Function
#2	INPUT
#5	OUTPUT
Others	GND

Unit in mm
1mm = 0.0394 inches
Not Specified Tolerance: ±0.2mm



Specifications

Parameter		Min.	Typical	Max.	Units
Center Frequency	Fc		1581		MHz
Insertion Loss (1560~1602 MHz)	IL		2.6	4	dB
Amplitude Ripple (1560~1602 MHz)			1.3	2.7	dB
VSWR (1560~1602 MHz)			1.7	2.3	
Attenuation (Reference level from 0 dB)					
DC~600	MHz	30	36		dB
600~1500	MHz	27	34		dB
1500~1530	MHz	20	39		dB
1630~1675	MHz	20	44		dB
1675~3000	MHz	30	38		dB
Temperature Coefficient of Frequency			-36		ppm/k
Input Power Level			20		dBm
DC Voltage			3		V
Operating Temperature Range		-20		+70	°C
Storage Temperature Range		-40		+85	°C
Moisture Sensitivity Level		Level 1(MSL1)			