



Features and Benefits

Center frequency: 1540MHz
I.L: 5dB Max.
Operating temperature: -20°C to +70°C
Size: 3x3x1.4mm
Package type: Surface Mount

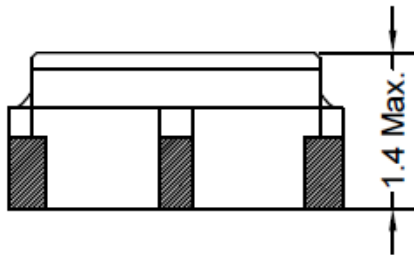
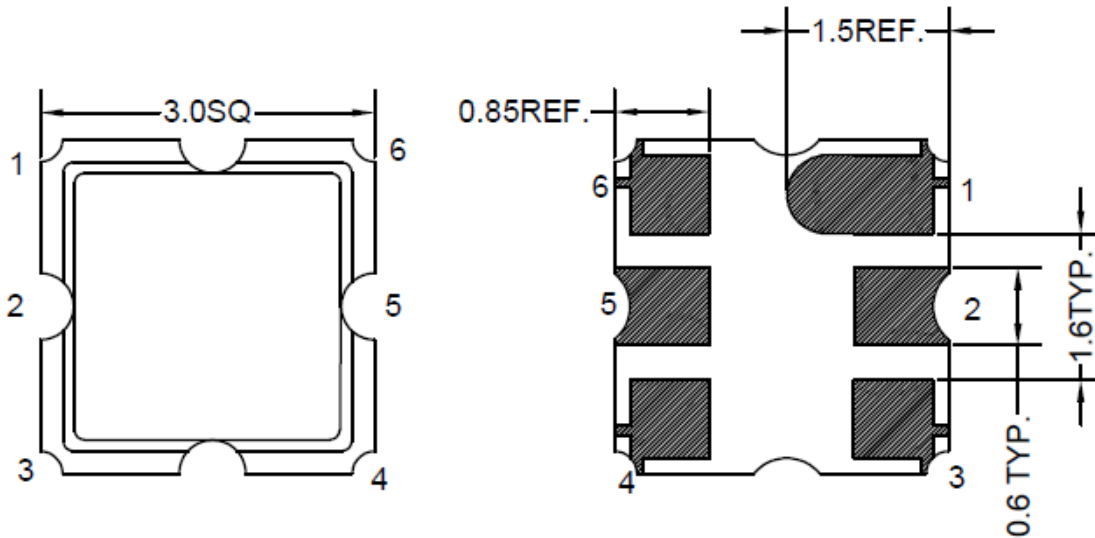


Typical Applications

IOT
Cellular
Telecom
4G/LTE
Wireless Communication
WLAN
Base Station
Radar

Mechanical Drawing & Pin Connections

Drawing No: MD240080-1



PIN	Function
#2	INPUT
#5	OUTPUT
Others	GND

Unit in mm
1mm = 0.0394 inches
Not Specified Tolerance: ±0.2mm



Specifications

Parameter	Min.	Typical	Max.	Units
Center Frequency Fc		1540		MHz
Insertion Loss IL		3	5	dB
Amplitude Ripple (1533.5~1546.5 MHz)		1	2	dB
VSWR (1533.5~1546.5 MHz)		1.8	2.3	
Group Delay Variation (1533.5~1546.5 MHz)		7	15	ns
Attenuation (Reference level from 0 dB)				
10~1490 MHz	35	50		dB
1567~1581 MHz	20	43		dB
1581~3000 MHz	35	41		dB
Temperature Coefficient of Frequency		-36		ppm/°C
Input Power Level		10		dBm
DC Voltage		3		V
Operating Temperature Range	-20		+70	°C
Storage Temperature Range	-40		+85	°C