



Features and Benefits

Center frequency: 1217MHz
I.L: 4dB Max.
Operating temperature: -30°C to +80°C
Size: 3x3x1.4mm
Package type: Surface Mount

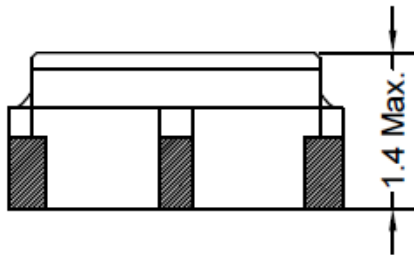
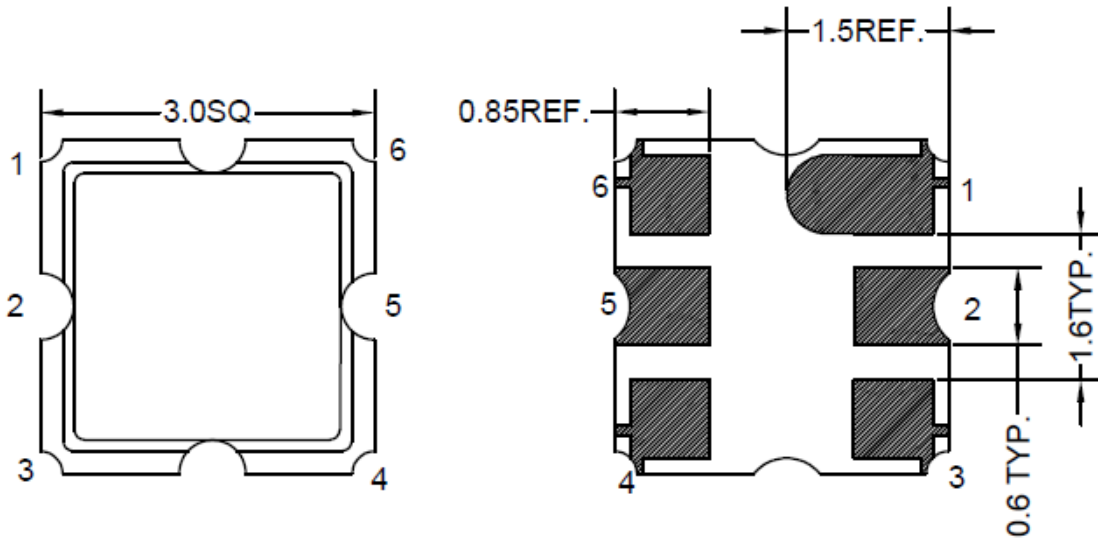


Typical Applications

IOT
Cellular
Telecom
4G/LTE
Wireless Communication
WLAN
Base Station
Radar

Mechanical Drawing & Pin Connections

Drawing No: MD240080-1



PIN	Function
#2	INPUT
#5	OUTPUT
Others	GND

Unit in mm
1mm = 0.0394 inches
Not Specified Tolerance: ±0.2mm



Specifications

Parameter	Min.	Typical	Max.	Units
Center Frequency Fc		1217		MHz
Insertion Loss (1195~1239 MHz) IL		3.1	4	dB
Amplitude Ripple (1195~1239 MHz)		1	3	dB
Attenuation (Reference level from 0 dB)				
1107 ~ 1167 MHz	40	51.6		dB
1267 ~ 1280 MHz	26	33		dB
1280 ~ 1310 MHz	35	42		dB
1310 ~ 1327 MHz	40	48.6		dB
In/Out Impedance (Single)		50		ohm
Input Power Level		10		dBm
DC Voltage		3		V
Operating Temperature Range	-30		+80	°C
Storage Temperature Range	-30		+85	°C