



### Features and Benefits

Center frequency: 1045MHz  
I.L: 5.5dB Max.  
Operating temperature: -40°C to +85°C  
Size: 3x3x1.4mm  
Package type: Surface Mount

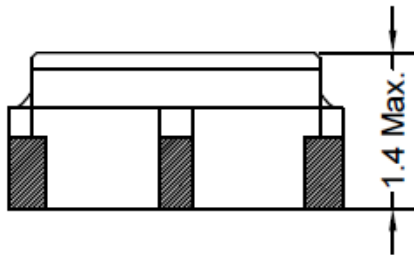
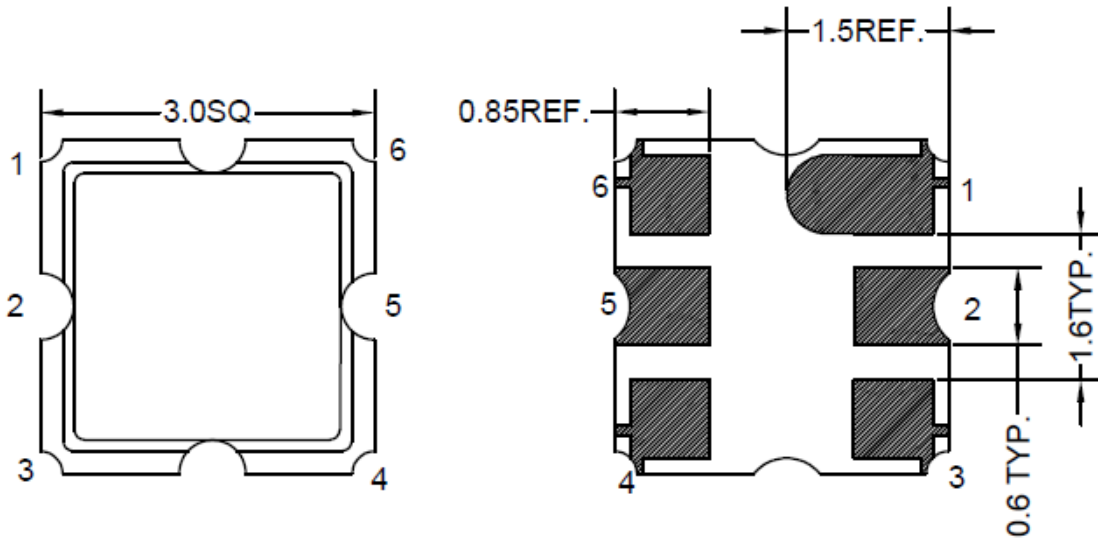


### Typical Applications

IOT  
Cellular  
Telecom  
4G/LTE  
Wireless Communication  
WLAN  
Base Station  
Radar

### Mechanical Drawing & Pin Connections

Drawing No: MD240080-1



PIN	Function
#2	INPUT
#5	OUTPUT
Others	GND

Unit in mm  
1mm = 0.0394 inches  
Not Specified Tolerance: ±0.2mm



### Specifications

Parameter	Min.	Typical	Max.	Units
Center Frequency Fc		1045		MHz
Insertion Loss (1040~1050 MHz) IL		4.8	5.5	dB
Amplitude Ripple (1040~1050 MHz)		1.1	2	dB
VSWR (1040~1050 MHz)		2.1	2.5	
Attenuation (Reference level from 0 dB)				
800 ~ 1010 MHz	35	41		dB
1080 ~ 1300 MHz	40	51		dB
Temperature Coefficient of Frequency		-36		ppm/°C
In/Out Impedance (Single)		50		ohm
Input Power Level		10		dBm
DC Voltage		3		V
Operating Temperature Range	-40		+85	°C
Storage Temperature Range	-40		+85	°C
Moisture Sensitivity Level	Level 1(MSL1)			