



Features and Benefits

Center frequency: 1037.5MHz
I.L: 3.5dB Max.
Operating temperature: -30°C to +85°C
Size: 3x3x1.4mm
Package type: Surface Mount

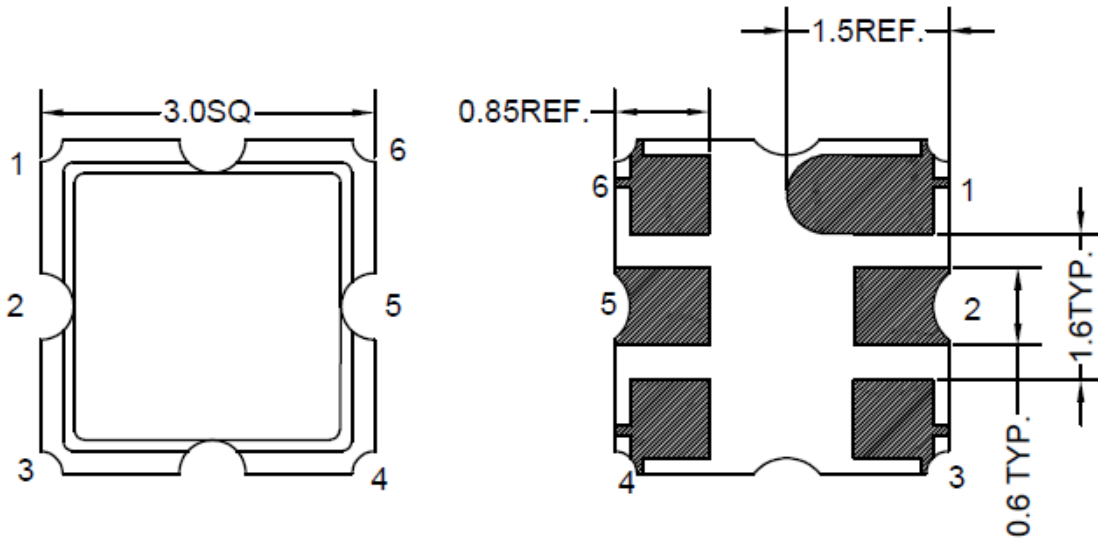


Typical Applications

IOT
Cellular
Telecom
4G/LTE
Wireless Communication
WLAN
Base Station
Radar

Mechanical Drawing & Pin Connections

Drawing No: MD240080-1



| PIN | Function |
|--------|----------|
| #2 | INPUT |
| #5 | OUTPUT |
| Others | GND |

Unit in mm
1mm = 0.0394 inches
Not Specified Tolerance: ±0.2mm



Specifications

| Parameter | Min. | Typical | Max. | Units |
|---|---------------|---------|------|--------|
| Center Frequency Fc | | 1037.5 | | MHz |
| Insertion Loss (1025~1050 MHz) IL | | 2.5 | 3.5 | dB |
| Amplitude Ripple (1025~1050 MHz) | | 0.8 | 1.5 | dB |
| VSWR (1025~1050 MHz) | | 1.4 | 2.2 | |
| Attenuation (Reference level from 0 dB) | | | | |
| Fc - 50 MHz | 35 | 48 | | dB |
| Fc + 50 MHz | 30 | 36 | | dB |
| Fc + 90 MHz | 42 | 52 | | dB |
| Temperature Coefficient of Frequency | | -36 | | ppm/°C |
| Input Power Level | | 10 | | dBm |
| DC Voltage | | 0 | | V |
| Operating Temperature Range | -30 | | +85 | °C |
| Storage Temperature Range | -40 | | +85 | °C |
| Moisture Sensitivity Level | Level 1(MSL1) | | | |