



Features and Benefits

Center frequency: 1030MHz
I.L: 4dB Max.
Operating temperature: -55°C to +85°C
Size: 3x3x1.4mm
Package type: Surface Mount

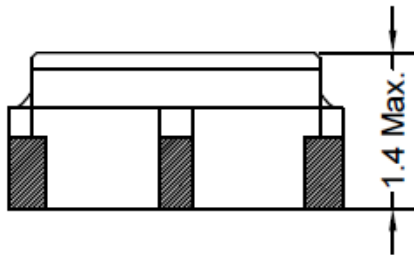
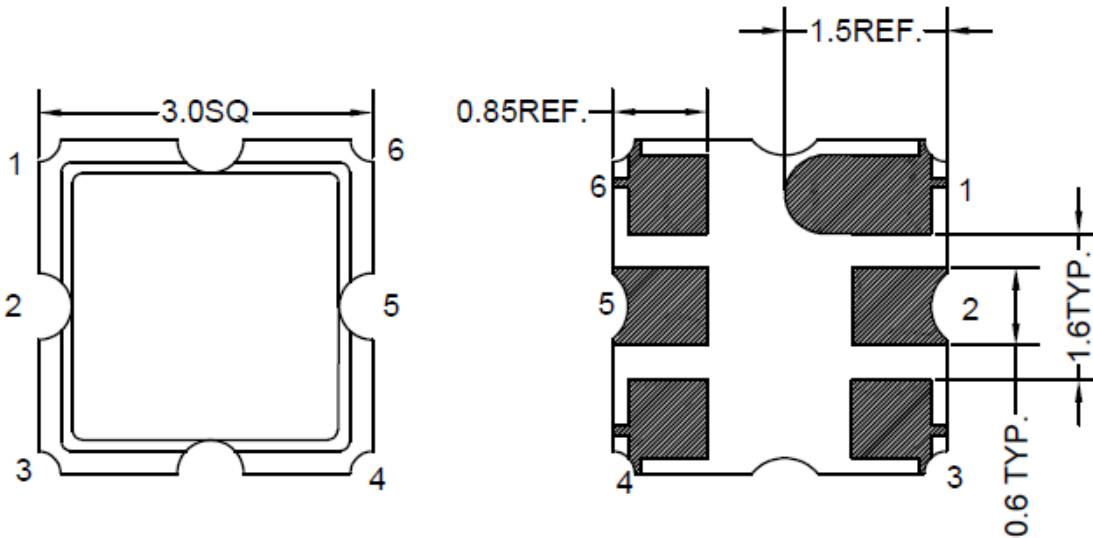


Typical Applications

IOT
Cellular
Telecom
4G/LTE
Wireless Communication
WLAN
Base Station
Radar

Mechanical Drawing & Pin Connections

Drawing No: MD240080-1



PIN	Function
#2	INPUT
#5	OUTPUT
Others	GND

Unit in mm
1mm = 0.0394 inches
Not Specified Tolerance: ± 0.2 mm



Specifications

Parameter	Min.	Typical	Max.	Units
Center Frequency Fc		1030		MHz
Insertion Loss (1025~1035 MHz) IL		3	4	dB
Amplitude ripple (1025~1035 MHz)		0.8	2	dB
Maximum Absolute Group Delay (1025~1035 MHz)		65*	80	ns
Group Delay Variation (1025~1035 MHz)		16*	80	ns
Attenuation (Reference level from 0 dB at MHz)				
500-946	40	42		dB
949-980	38	42		dB
980-990	40	42		dB
1005	30	40		dB
1055	30	40		dB
1080~1400	40	42		dB
1400~1600	35	41		dB
Temperature coefficient of frequency		-36		ppm/°C
In/Out Impedance (Single)		50		ohm
Input Power Level		+15	+20	dBm
DC Voltage		3		V
Operating Temperature Range	-55		+85	°C
Storage Temperature Range	-55		+125	°C
Moisture Sensitivity Level	Level 1 (MSL1)			

*Measure at 2% smoothing factor