



Features and Benefits

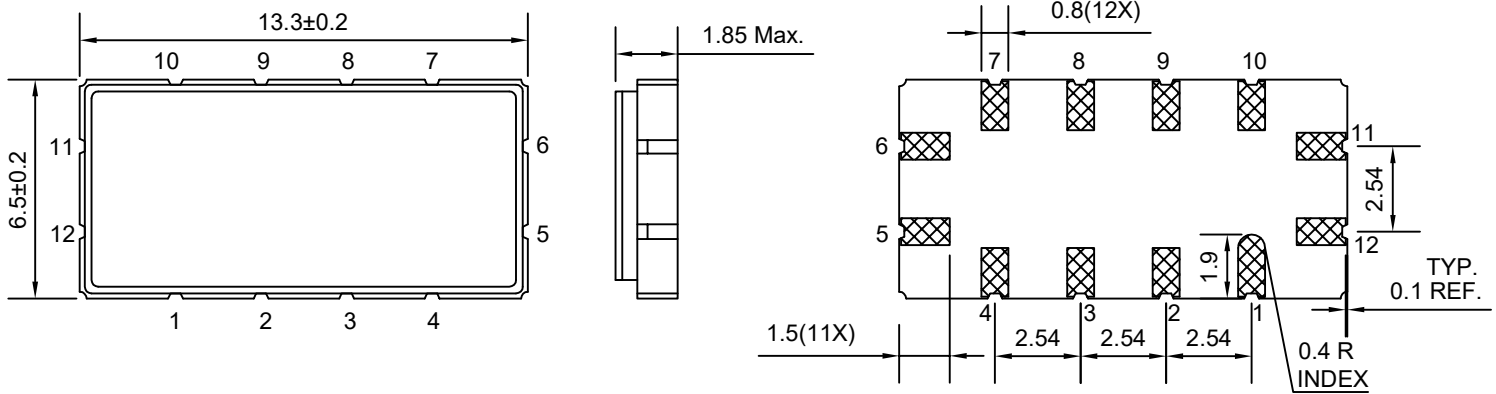
Center frequency: 63MHz
 I.L: 11dB Max.
 Operating temperature: -40°C to +85°C
 Size: 13.3x6.5x1.85mm
 Package type: Surface Mount

Typical Applications

IOT
 Cellular
 Telecom
 4G/LTE
 Wireless Communication
 WLAN
 Base Station
 Radar

Mechanical Drawing & Pin Connections

Drawing No: MD2' 000) -1



PIN #	Function
11	RF Input
5	RF Output
12	Ground
6	Ground
1,2,3,4,7,8,9,10	Ground

Unit in mm
 1mm = 0.0394 inches



Specifications

Parameter	Min.	Typical	Max.	Units
Center Frequency Fc		63		MHz
Insertion Loss IL		8.5	11	dB
1dB Bandwidth		0.42		MHz
2dB Bandwidth	0.4	0.5		MHz
Pass Band Ripple (Fc±180KHz)		0.5	1	dB
Pass Band Ripple (Fc±200KHz)		0.8	2	dB
Group Delay Variation (Fc±200KHz)		450		ns
Attenuation (Reference level from 0dB)				
DC~58MHz	45	50		dB
58~62MHz	40	45		dB
62~62.5MHz	12	17		dB
63.5~64MHz	12	17		dB
64~68MHz	40	45		dB
68~83MHz	45	50		dB
Temperature Coefficient		-0.036		ppm/°C ²
Terminating load/ source impedance (single)		50		ohm
Input Power Level			10	dBm
DC Voltage			5	V
Operating Temperature Range	-40		+85	°C
Storage Temperature Range	-40		+85	°C
Moisture Sensitive Level (MSL)	Level 1			

Electrostatic Sensitive Device (ESD)

Lead Free

RoHS Compliant