



Features and Benefits

Frequency Range: 2302-2596MHz

Supply Voltage: 5.0V

Current: 40mA Max.

3 wire serial Fractional PLL

Output power: +2.0dBm Max.

Phase noise: -92dBc/Hz@10KHz

Operating temperature: -40°C--+85°C

Size: 19.0x19.0x5.8mm

Package type: SMD

Typical Applications

SATCOM radio link

Point-to-Point radio

Receiver

MMDS

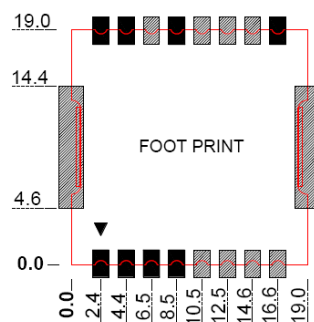
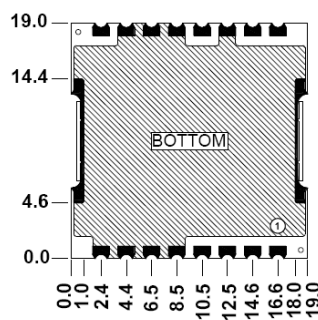
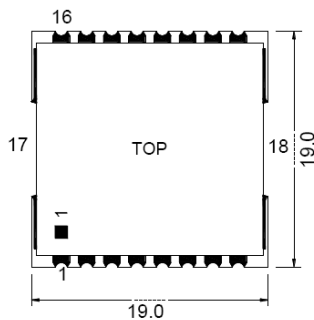
Test Equipment

WiMAX

Radar

Mechanical Drawing & Pin Connections

Drawing No: MD240072-1



Pin Connections:

Pin	Function
1	CLK
2	DATA
3	LE
4	Ref. IN
5-8	GND
9	VCC(VCO)
10-12	GND
13	RF Out
14	GND
15	Vcp(PLL)
16	Lock Detect
17&18	GND

Unit in mm

1mm = 0.0394 inches



Specifications

Parameter	Units	Min.	Typical	Max.
Operating Frequency Range	MHz	2302		2596
Output Power	dBm	-2.0	0.0	+2.0
Step Size	KHz		250	
Settling Time	msec		30	
Output Impedance	Ω		50	
Phase Noise @1kHz offset	dBc / Hz		-88	-83
Phase Noise @10kHz offset	dBc / Hz		-92	-87
Phase Noise @100kHz offset	dBc / Hz		-108	-103
Phase Noise @1MHz offset	dBc / Hz		-122	-117
2nd Harmonic Suppression	dBc		-25	-20
Sideband Spurious Suppression	dBc			-70
Reference (input frequency)	MHz	10		250
Reference (input level)	dBm	-5		+5
VCO Power Supply (Vcc) Voltage	Vdc		5.0	
VCO Power Supply (Vcc) Current	mA		31	40
PLL Power Supply (Vcp) Voltage	Vdc		5.0	
PLL Power Supply (Vcp) Current	mA		10	15
Operating Temperature Range	$^{\circ}\text{C}$	-40		+85