



Features and Benefits

Frequency range: 12.8MHz
Supply voltage: 5.0V
Steady current: 250mA Max
Output waveform: Square wave
Frequency stability vs. operating temperature: ±25ppb
Aging: 100ppb per year
Operating temperature: -40°C to +85°C
Size: 36x27x12.7mm

Typical Applications

Synthesizers
SATCOM System
Portable Applications

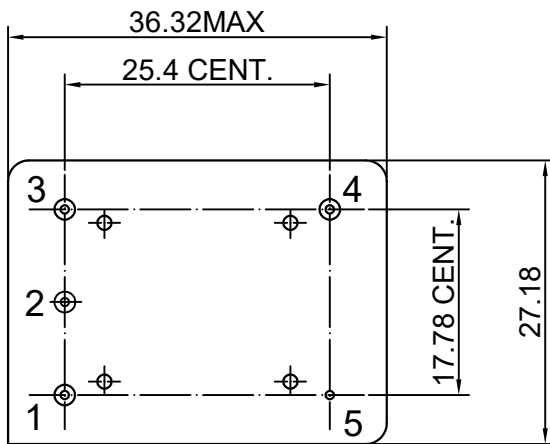
Description

OCXO3627AM-12.8MHz-A-V offers good frequency stability and low phase noise performance.

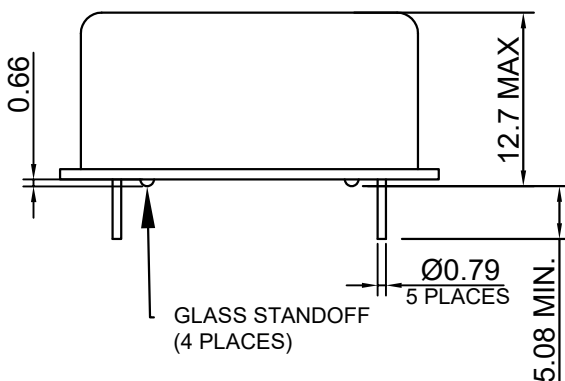
Mechanical Drawing & Pin Connections

Drawing No: MD240055-1

Bottom View



Side View



Pin Connections:

Pin	Function
1	Control Voltage or N.C.
2	Reference Voltage or Oven Monitor or N.C.
3	Supply Voltage
4	RF Output
5	Ground

Unit in mm

1mm = 0.0394 inches



Specifications

Oscillator Specification	Sym	Condition	Value			Unit	Note
			Min.	Typ.	Max.		
Operational Frequency	F _{nom}			12.8		MHz	
Output				Square wave			
Output Level				4.5		V	
Load				10		kohm	
Duty Cycle			45	50	55	%	
Power Supply							
Voltage	V _{cc}		4.75	5.0	5.25	V	
Current		Warm up			600	mA	
		Steady state			250	mA	
Tuning voltage			0	2.0	4.0	V	
Pulling range			-0.5		+0.5	ppm	
Reference Voltage Output				4.0		V	
Warm up time			3			min	
Frequency Stability							
Versus temperature				±25		ppb	
Versus change in supply voltage					5	ppb	
Versus change in load					5	ppb	
Tolerance		@+25°C	-100		100	ppb	
Aging/ First Year					100	ppb	
Aging/day					5	ppb	
Phase noise		10Hz			-120	dBc/Hz	
		100Hz			-140	dBc/Hz	
		1KHz			-155	dBc/Hz	
		10KHz			-155	dBc/Hz	
Environmental Conditions							
Operating temperature range	-40°C to +85°C						
Storage temperature range	-55°C to +100°C						