



Electrical Specifications

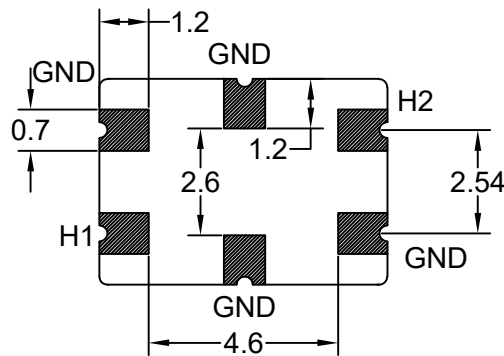
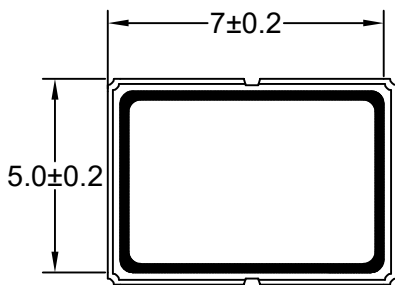
Center Frequency (F _o)	50 MHz, Fundamental
Passband Width @ 3 dB	+/- 7.5 KHz
Ripple	1 dB max
Insertion Loss	2 dB max
Stopband Width @ 18 dB	+/- 25 KHz
Ultimate Attenuation	70 dB min @ F _o -910 KHz
Spurious	10dB min
Terminating Impedance	560 Ω// 5.0 pF
Package Type	SMD

Operating and storage Temperature

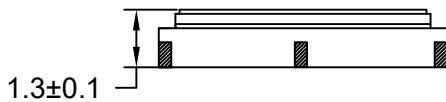
-40°C to +85°C

Mechanical Drawing & Pin Connections

Drawing No: MD240067-1



H1 and H2: M.C.F. IN/OUT



Unit in mm
1mm = 0.0394 inches